

CSA 1 CONTINUOUS BUS GUTTERS

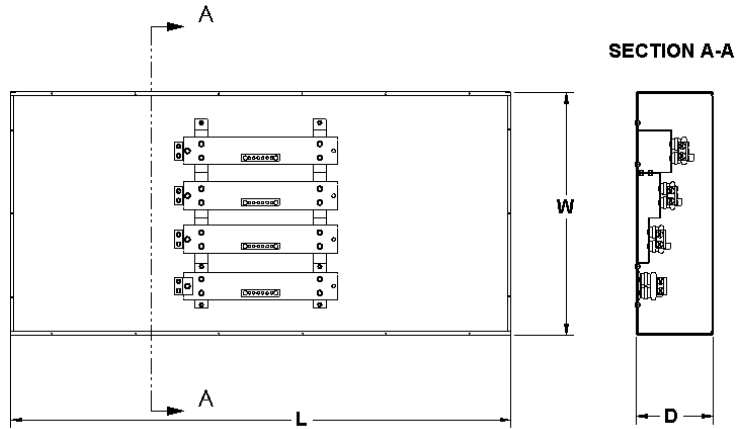
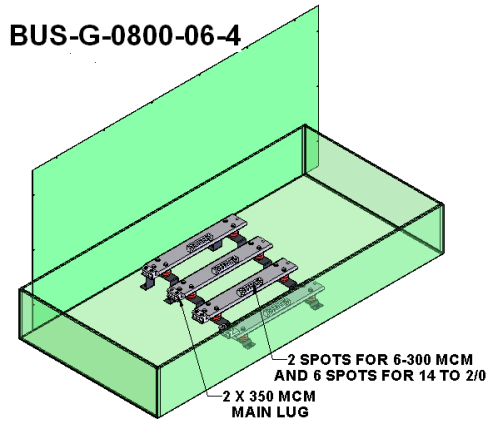
The continuous BUS gutters are used indoor for cabling electrical power distribution permitting main circuit conductors to be split into multiple branch circuit conductors. Continuous bus bars are preinstalled for both three and four wire power distribution systems. They are complete with screw cover.

The 400-600 amp bus gutters are manufactured from 12 Ga or 10 Ga aluminum. The 800-1200 amp bus gutters are manufactured from 14 Ga or 12 Ga steel.

Options include: copper bar, additional copper or aluminum lugs, drilled and tapped bars, weatherproof.

C.S.A. Certified

Define:	BUS Series	A Amperage	B Length	C
				Number of wires
			A B C	
	Example : BUS-G-0800-06-4: 800 Amp / 6 foot / 4 wire			



Amps	Main Lugs	Branch Lugs		3 Wire	4 Wire
		4-6 Feet L	7-12 Feet L	Box Size W x D	Box Size W X D
400	Double 250 MCM	2 6-300 MCM and 2 14-2/0	4 6-300 MCM and 4 14-2/0	15 x 7	18 x 9 1/2
600	Double 350 MCM	2 6-300 MCM and 2 14-2/0	4 6-300 MCM and 4 14-2/0	15 x 7	18 x 9 1/2
800	Double 600 MCM	2 6-300 MCM and 6 14-2/0	4 6-300 MCM and 12 14-2/0	28 1/2 x 9	35 x 11
1200	Double 1000 MCM	2 6-300 MCM and 6 14-2/0	4 6-300 MCM and 12 14-2/0	28 1/2 x 9	35 x 11

CSA 1 CONTINUOUS BUS GUTTERS

Ship Weights for Continuous Bus Gutters

BUS-A-0400-04-03	35.0 LBS.	BUS-A-0600-12-04	109.0 LBS.
BUS-A-0400-04-04	40.0 LBS.	BUS-G-0800-04-03	153.0 LBS.
BUS-A-0400-06-03	44.0 LBS.	BUS-G-0800-04-04	159.0 LBS.
BUS-A-0400-06-04	48.0 LBS.	BUS-G-0800-05-04	193.0 LBS.
BUS-A-0400-08-03	61.0 LBS.	BUS-G-0800-06-03	186.0 LBS.
BUS-A-0400-08-04	67.0 LBS.	BUS-G-0800-06-04	230.0 LBS.
BUS-A-0400-10-03	74.0 LBS.	BUS-G-0800-08-03	336.0 LBS.
BUS-A-0400-10-04	95.0 LBS.	BUS-G-0800-10-03	378.0 LBS.
BUS-A-0400-12-03	112.0 LBS.	BUS-G-0800-10-04	678.0 LBS.
BUS-A-0400-12-04	121.0 LBS.	BUS-G-0800-12-03	662.0 LBS.
BUS-A-0600-04-03	33.0 LBS.	BUS-G-0800-12-04	614.0 LBS.
BUS-A-0600-04-04	37.0 LBS.	BUS-G-1200-06-03	327.0 LBS.
BUS-A-0600-05-04	67.0 LBS.	BUS-G-1200-05-04	237.0 LBS.
BUS-A-0600-06-03	45.0 LBS.	BUS-G-1200-05-03	190.0 LBS.
BUS-A-0600-06-04	54.0 LBS.	BUS-G-1200-12-04	694.0 LBS.
BUS-A-0600-07-04	64.0 LBS.	BUS-G-1200-12-03	555.0 LBS.
BUS-A-0600-08-03	83.0 LBS.	BUS-G-1200-10-04	663.0 LBS.
BUS-A-0600-08-04	73.0 LBS.	BUS-G-1200-10-03	538.0 LBS.
BUS-A-0600-09-04	83.0 LBS.	BUS-G-0800-08-04	302.0 LBS.
BUS-A-0600-10-03	76.0 LBS.	BUS-G-1200-08-04	465.0 LBS.
BUS-A-0600-10-04	95.0 LBS.	BUS-G-1200-08-03	215.0 LBS.
BUS-A-0600-12-03	112.0 LBS.	BUS-G-1200-06-04	260.0 LBS.

