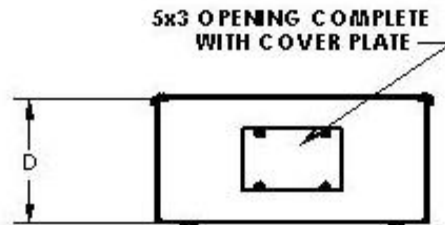
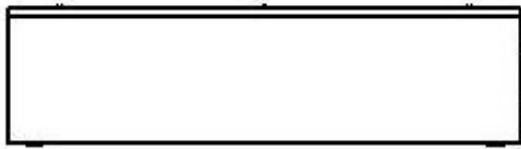
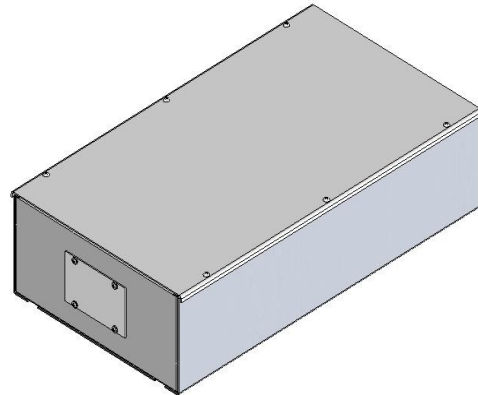
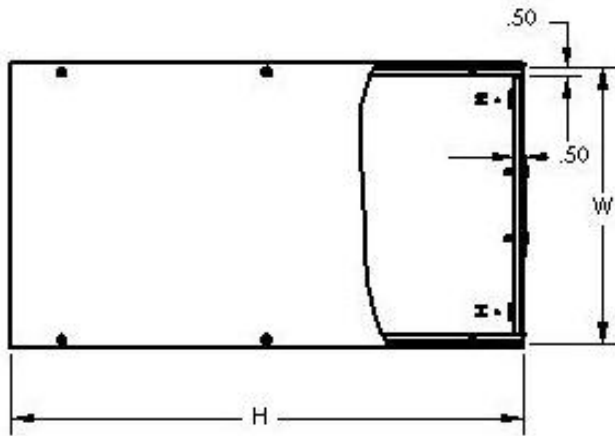


CSA 1 CHECK METER CABINETS

The CM-AL and CM-STL series are used as check meters or pull boxes. They are suitable for indoor application, and surface mounting. Manufactured from 12 – 10 Ga aluminum or 16 – 14 Ga pregalvanized steel.

The enclosures are complete with removable access panel and screw cover. Four internal mounting holes and grounding provisions are included.
C.S.A. Certified / UL Listed



<u>Cat. No:</u>	<u>Amps</u>	<u>H</u>	<u>W</u>	<u>D</u>	<u>LBS. For STL</u>	<u>LBS. For AL</u>
CM-A/G-121206	100	12	12	6	8.0	5.0
CM-A/G-201408	200	20	14	8	19.0	8.0
CM-A/G-302008	400	30	20	8	43.0	17.0
CM-A/G-362410	600	36	24	10	64.0	31.0