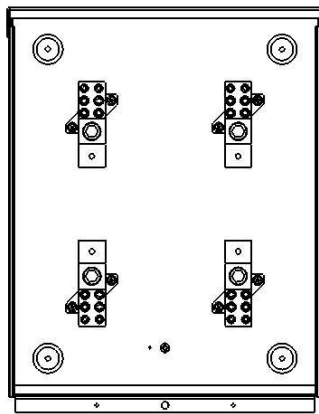


# CSA 3R PAD TYPE SPLITTER BOX ALUMINUM

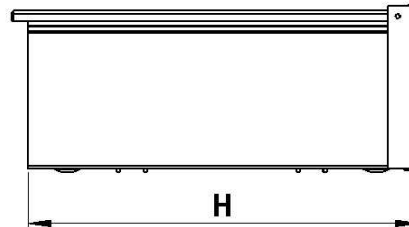
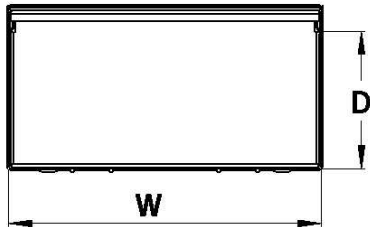
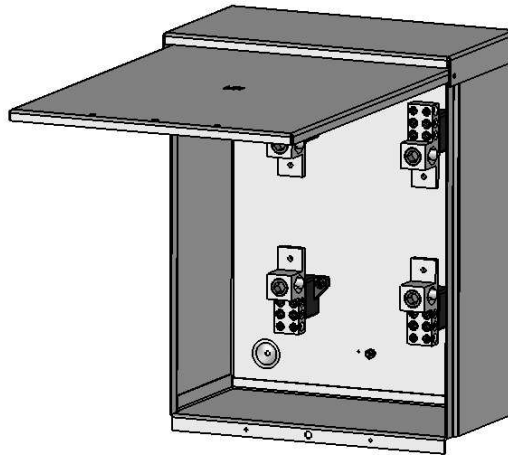
The PAD splitter boxes are used as junction boxes in outdoor or indoors installations where dripping water is a problem. These enclosures are manufactured from 12 Ga aluminum.

They are available in 100-400 amp capacities. The enclosures are complete with hinged cover, that acts as a rain hood preventing water from reaching electrical components.

C.S.A. Certified



Cover Removed



Cat. No.	Number Of Wires	Main Lugs			Branch Lugs		H	W	D
		Amp	Qty.	Wires	Qty.	Wires			
PAD-3R-A-1413	3	125	1	14-1/0	6	14-2	14	9	3.75
PAD-3R-A-1814	4	125	1	14-1/0	6	14-2/0	18.25	9	3.75
PAD-3R-A-1423	3	225	1	6-300MCM	6	14-2/0	14	11	5.5
PAD-3R-A-1824	4	225	1	6-300MCM	6	14-2/0	18.25	11	5.5
PAD-3R-A-1823	3	225	1	6-300MCM	6	14-2/0	18.25	11	5.5
PAD-3R-A-2044	4	400	2 x 1/0-250 MCM or 1 x 4 – 600 MCM		2 x 14-3/0 and 4 x 6-4/0		20	16	7