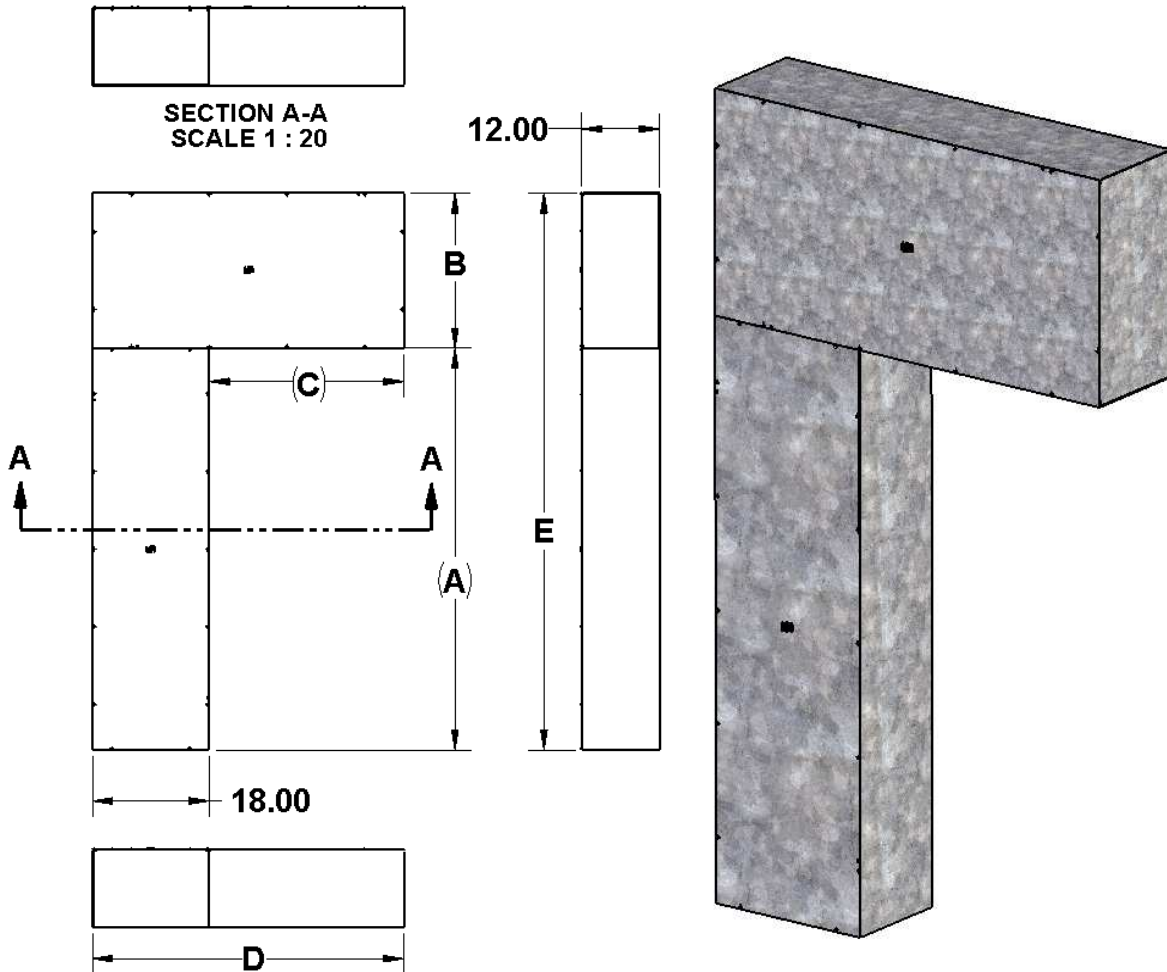


CSA 1 BC HYDRO "L" BOXES

The BC Hydro "L" boxes are used as pull boxes. Our two piece design eliminates the confusion of specifying left or right configurations. Sealing provisions as required by BC Hydro are incorporated into both pieces of the enclosure.

The boxes, are manufactured from 14 Ga galvanized steel. The "L" boxes respect the BC Hydro distribution standard ES54 S2-01. C.S.A. Certified / UL Listed



Cat No:	SWITCH SIZE	A	B	C	D	E
DL-G-200	200 AMP	48	24	30	48	72
DL-G-400	400 AMP	62	24	30	48	86
DL-G-600	600-800 AMP	62	30	36	54	92