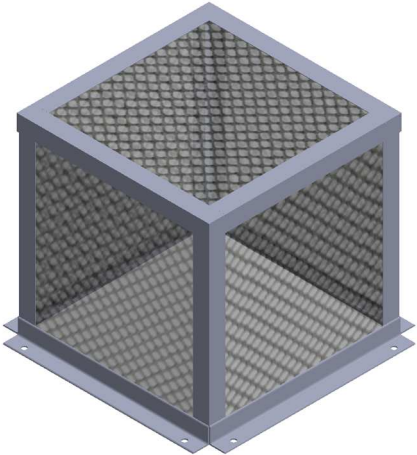
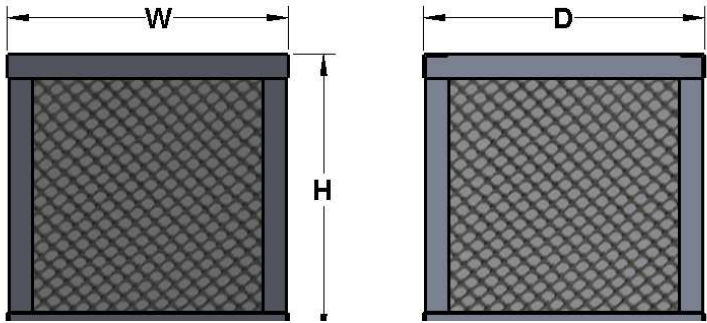
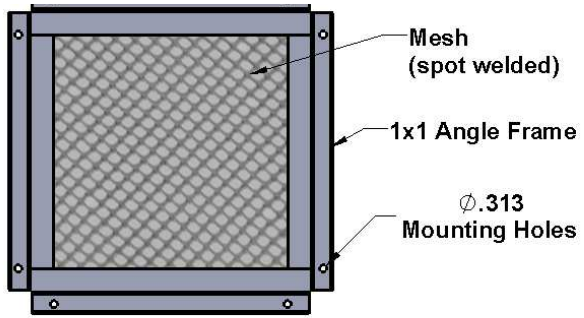


BASKET CAGE (Guard-Light/Playground/Alarms)

Basket cages are designed to provide safety for lighting fixtures, CCTV, sensors and equipment while providing protection against accidental damage, vandalism, and playground balls in residential, commercial and industrial applications. They are manufactured in both steel or

aluminum and can be powder coated a colour to blend into the environment or custom colours for safety awareness or decorative applications. Options include: overall size - H D W, square or expanded mesh, percentage of mesh opening, custom colours and hinges.



Cat. No.	H	W	D
	BC-121212	12	12
BC-242412	24	12	12
BC-321612	32	16	12
BC-361212	36	12	12
Additional Sizes are available			