

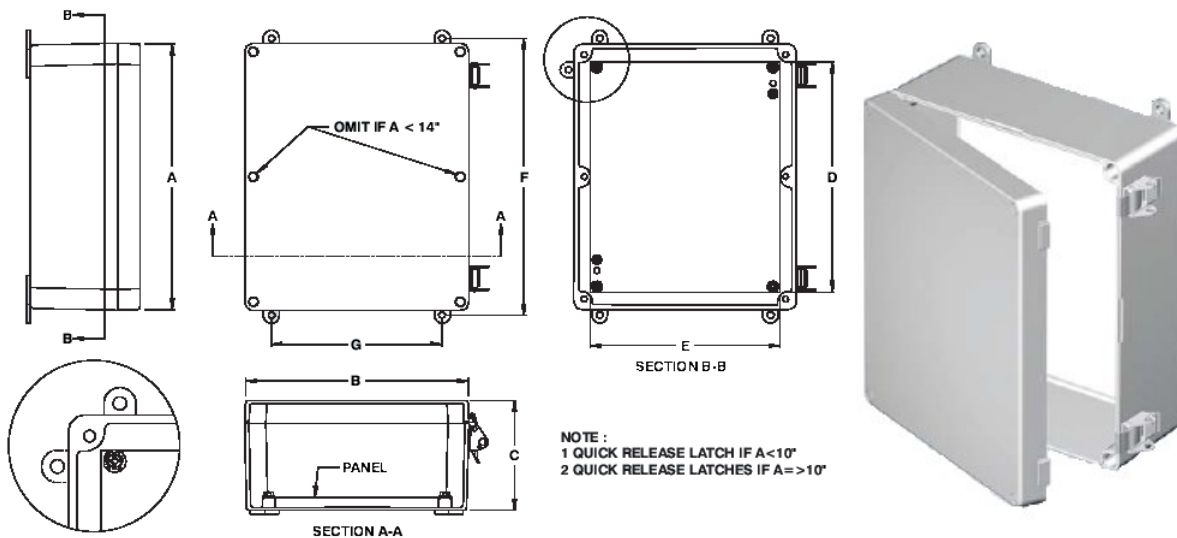
# NEMA 4X-12 FIBERGLASS

The 5412ESFRQ series are suited for indoor or outdoor use, where corrosion may be a problem, to protect the equipment from water coming from any direction, dust, dirt, and oil. They are made of SMC polyester fiberglass composite and come with a gasket that ensures a complete NEMA 4X seal. The quick release latches are made of stainless steel. The concealed hinges are removable and allow for 180° door opening. The hinges

can be placed on any side of the enclosure, and permit right, left, top or bottom door opening. The mounting feet can be installed at 0° or 90°, to be used either at the top and bottom of the box or its sides. The enclosures come with a JIC standard 14 Ga inner panel, powder coated white. Inner panels and mounting feet are secured by antivibration screws.

**C.S.A. Certified / UL Listed**

## Quick release cover fiberglass enclosures



<b>Cat No:</b>	<b>A</b>	<b>B</b>	<b>C</b>	<b>D</b>	<b>E</b>	<b>F</b>	<b>G</b>	<b>LBS.</b>
EXM-5412 ESFRQ040403	4.5	4.5	3.125	-	-	4.937	2	1
EXM-5412 ESFRQ060404	6.5	4.5	4.125	4.75	2.880	6.937	2	2.0
EXM-5412 ESFRQ060604	6.5	6.5	4.125	4.75	4.880	6.937	4	2.0
EXM-5412 ESFRQ060804	6.5	8.5	4.125	4.88	6.750	6.937	6	2.0
EXM-5412 ESFRQ080604	8.5	6.5	4.125	6.75	4.880	8.937	4	2.0
EXM-5412 ESFRQ080804	8.5	8.5	4.125	6.75	6.880	8.937	6	3.0
EXM-5412 ESFRQ100804	10.5	8.5	4.125	8.75	6.880	10.937	6	4.0
EXM-5412 ESFRQ100806	10.5	8.5	6.125	8.75	6.880	10.937	6	6.0
EXM-5412 ESFRQ101205	10.5	12.5	5.125	8.88	10.750	10.937	10	7.0
EXM-5412 ESFRQ121005	12.5	10.5	5.125	10.75	8.880	12.937	8	7
EXM-5412 ESFRQ121206	12.5	12.5	6.125	10.75	10.880	12.937	10	10
EXM-5412 ESFRQ141206	14.5	12.5	6.125	12.75	10.880	14.937	10	12