

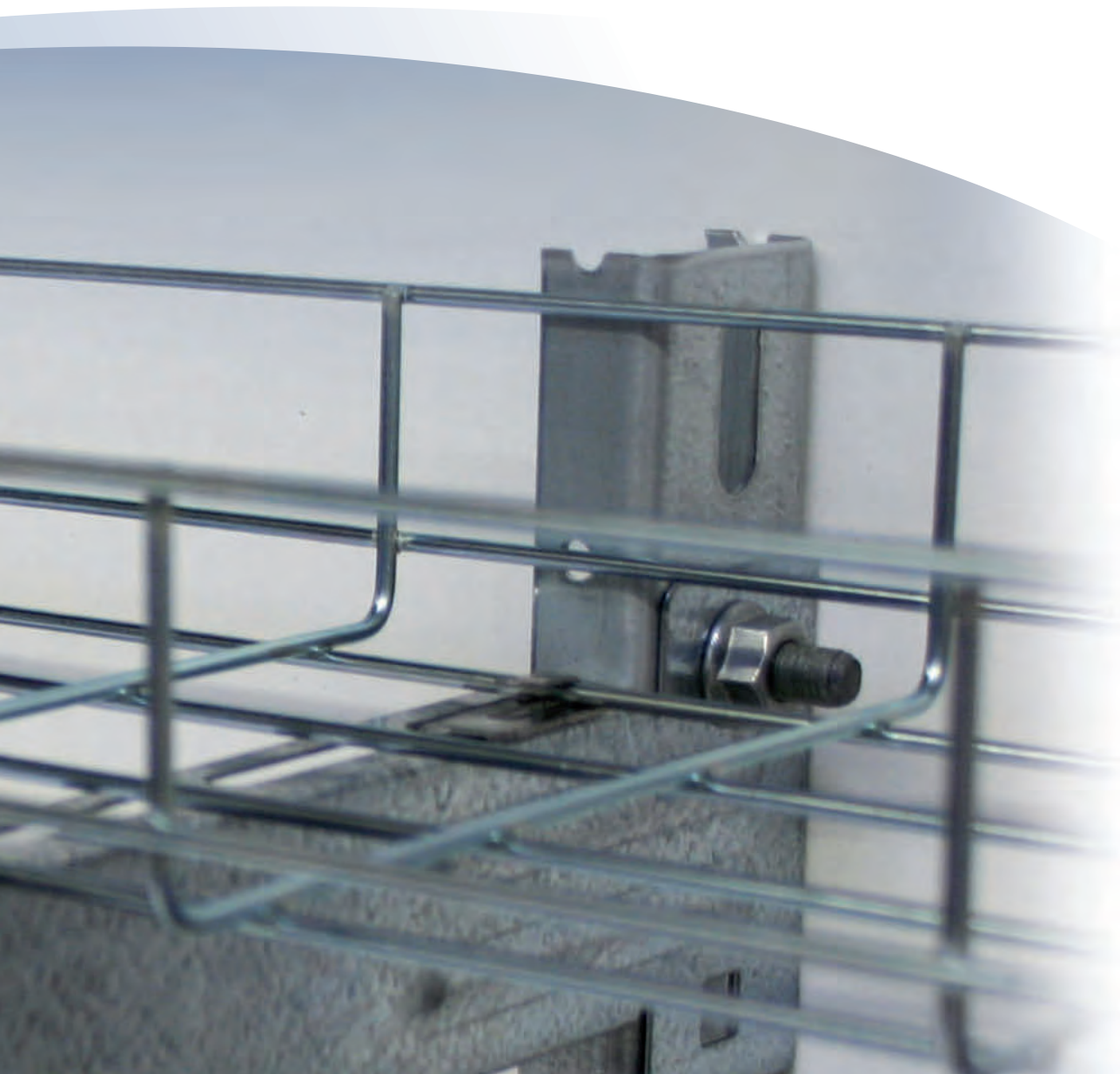
## Wire Mesh Tray System

○ Wire Mesh Tray

○ Covers

○ Barrier Strips

○ Accessoires








All straight sections of cable tray as well as their corresponding system components (fittings, splice plates, covers, ...) are classified by UL in accordance with NEMA VE 1 for the USA and CSA E22.2 No. 126.1 for Canada. Please add an 'X' after the first sequence of characters in the part number to get your products labeled for UL conformity (f.e. RLV 60.200 becomes RLX 60.200 or GRS 110.300 becomes GRX 110.300).

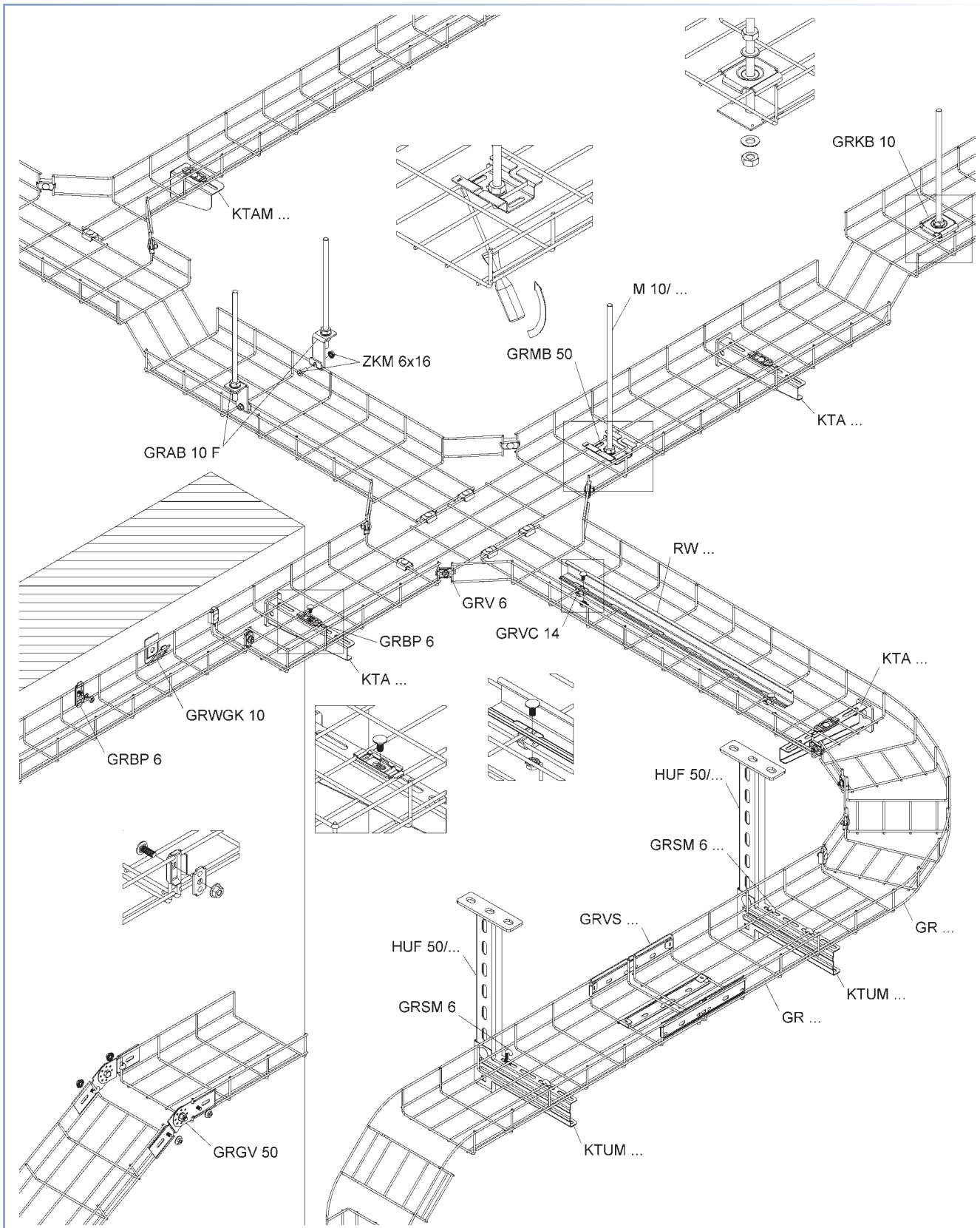
Wire Mesh Tray is lightweight, flexible and easy to install. Due to its small surface area there is no accumulation of dirt or humidity. Cable ventilation is perfect. There is no need for long term advanced planning and ordering. Just get straight sections of tray, a few accessories like the universal splice kit and a bolt cutter and you are ready to go. All kinds of fittings can be done onsite easily. Wire Mesh Tray is available in many finishes and can be used in industrial and commercial environments, inside and outside.

# WIRE MESH TRAY SYSTEM

## Available Side Rail Heights

SYSTEM	Wire Mesh Tray	GR	 Page 122	 Page 123
	Wire Mesh Tray, u-shaped	GRS	—	 Page 123  Page 124  Page 125
ACCESSORIES	Boltless Splice Plate	GRVS	Page 128*	
	Universal Splice Kit	GRHKM 6x15	Page 128*	
	Heavy Duty Splice Kit	GTVM 6x25	Page 128*	
	Horizontal Straight Splice	GTVL 300	Page 128*	
	Clamping Bracket	GTL 20	Page 128*	
	Counter Bracket	GTL 30	Page 128*	
	Large Clamping Bracket	GTL 40	Page 129*	
	Trushead Bolt and Serrated Washer	FLM 6x20	Page 129*	
	Adjustable Splice Plate	GRGV 50	Page 129*	
	Elbow Splice Bar	GRWV 20/250	Page 129*	
	J-Hook Bolt	GRSM 6	Page 130*	
	Barrier Strip	RW	Page 130*	
	Splice Plate for Barrier Strip	RTV	Page 130*	
	Mounting Clamp for Barrier Strip	GRVC 14	Page 130*	
	Universal Wire Mesh Mounting Bracket	GRBP 6	Page 131*	
	Center Hanger	GRKB 10	Page 131*	
	Wire Mesh Mounting Bracket	GRWGK 10	Page 132*	
	Wall Mounting Bracket	GRMB 50	Page 132*	
	Trapeze Hanger for Wire Mesh Tray	GTAB 8	Page 133*	
	Cable Drop Out	GTKA 50	Page 133*	
	Hanger / Wall Bracket for Wire Mesh Tray	GTTKS	Page 133/134*	
	Wall / Ceiling Bracket for Wire Mesh Tray	GTTKSU	Page 134*	
	Center Hanger for Wire Mesh Basket	GTTW	Page 135*	
	Wire Mesh Wall Bracket	GTZP	Page 135*	
	Wire Mesh Floor Support	GTBT	Page 135*	
	Snapon Cover for Wire Mesh Tray	GRD	Page 136*	
	Wire Mesh Bolt Cutter	GTBS	Page 136*	

\* Applicable with all edge heights



## Wire Mesh Cable Tray Specifications:

### A. CABLE TRAY DESIGN

1. Wire mesh cable tray shall utilize high mechanical strength steel wire that is welded into a 2" x 4" (50 mm x 100 mm) grid system. This grid is then formed into channels, which support and carry cables and permit ventilation of cables and maximum heat dissipation.

### B. MATERIAL

1. **Electro-plated zinc galvanized: ASTM B633.**  
To be applied to welded and formed wire mesh surfaces.
2. **Hot dipped galvanized steel.**  
All trays to be hot-dipped galvanized after fabrication in accordance with ASTM A123.
3. **Stainless steel.**  
All trays are to be constructed of AISI type 304 or type 316 stainless steel for maximum corrosion resistance
4. **Epoxy Powder Coated Paint:**  
available on special request

### C. Tray Size

1. **Height:** Trays shall have an overall height of 2.3", 4.3", and 6.3" (60, 110 and 160 mm)
2. **Width:** Widths shall be 2", 4", 6", 8", 12", 16", 18" 20" and 24" (60, 100, 150, 200, 300, 400, 450, 500 and 600 mm).
3. **Length:** Length shall be a nominal 10' or 3 meters.

### D. FITTINGS:

1. Shall be fabricated in the field by cutting wires with offset blade bolt cutters. Cuts shall be made in a manner reducing sharp edges and projections so they do not harm cables or installation personnel.
2. Dividers. Provide pre-galvanized steel, full depth divider strips to follow the contours of the mesh sections to allow different wiring systems to be run in the same tray.
3. Supports: Manufacturers specified supports and hardware are to be used for installation
4. Splices: Two options available, bolted type or non bolted to splice sections end to end, in pre-galvanized steel, hot dipped galvanized steel, and stainless steel.

### E. UL CLASSIFICATION

1. Straight sections shall be UL classified as an equipment grounding conductor

### F. DESIGN AND MANUFACTURE

1. GRX/GRSX series cable tray shall be manufactured by The Niedax Group.

## Load / Span Class Designation in accordance with NEMA VE 1 and CSA E22.2 No. 126.1

Niedax Series	Minimum Area		Load class in accordance to NEMA VE 1		
	(calculational) mm <sup>2</sup> / in. <sup>2</sup>	in accordance to NEMA VE 2 mm <sup>2</sup> / in. <sup>2</sup>	Rated Load Kg/m / lb./ft.	Support spacing m / ft.	Load/Span Class
GRX 40.040, ... F	38 / 0.06	-	42.7 / 28.8	1 / 3.3	-
GRX 60.100, ... F, ... E3	58 / 0.09	-	16.5 / 11.1	2 / 6.6	-
GRX 60.150, ... F, ... E3	67 / 0.10	-	16.5 / 11.1	2 / 6.6	-
GRX 60.200, ... F, ... E3	77 / 0.12	-	16.5 / 11.1	2 / 6.6	-
GRX 60.300, ... F, ... E3	126 / 0.19	-	31.5 / 21.2	2 / 6.6	-
GRX 60.400, ... F, ... E3	151 / 0.23	129 / 0.2	31.5 / 21.2	2 / 6.6	-
GRSX 60.060, ...F ...E3	64 / 0.10	-	25.5 / 17.1	2 / 6.6	-
GRSX 60.100, ...F ...E3	75 / 0.12	-	25.5 / 17.1	2 / 6.6	-
GRSX 60.150, ...F ...E3	111 / 0.17	-	25.5 / 17.1	2 / 6.6	-
GRSX 60.200, ...F ...E3	127 / 0.20	-	25.5 / 17.1	2 / 6.6	-
GRSX 60.300, ...F ...E3	181 / 0.28	129 / 0.2	63 / 42.3	2 / 6.6	A
GRSX 60.400, ...F ...E3	217 / 0.34	129 / 0.2	63 / 42.3	2 / 6.6	A
GRSX 60.500, ...F ...E3	253 / 0.39	129 / 0.2	63 / 42.3	2 / 6.6	A
GRX 110.100, ... F	77 / 0.12	-	53.3 / 35.9	2 / 6.6	-
GRX 110.200, ... F	125 / 0.19	-	53.3 / 35.9	2 / 6.6	-
GRX 110.300, ... F	151 / 0.23	129 / 0.2	53.3 / 35.9	2 / 6.6	-
GRX 110.400, ... F	175 / 0.27	129 / 0.2	53.3 / 35.9	2 / 6.6	-
GRX 110.500, ... F	201 / 0.31	129 / 0.2	53.3 / 35.9	2 / 6.6	-
GRX 110.600, ... F	226 / 0.35	129 / 0.2	53.3 / 35.9	2 / 6.6	-
GRSX 110.200, ... F	181 / 0.28	129 / 0.2	83.3 / 56	2 / 6.6	A
GRSX 110.300, ... F	217 / 0.34	129 / 0.2	83.3 / 56	2 / 6.6	A
GRSX 110.450, ... F	271 / 0.42	258 / 0.4	83.3 / 56	2 / 6.6	A
GRSX 110.600, ... F	326 / 0.50	258 / 0.4	103.3 / 69.4	2 / 6.6	A
GRSX 110.200, ... E3	159 / 0.25	129 / 0.2	50 / 33.6	2 / 6.6	-
GRSX 110.300, ... E3	191 / 0.30	129 / 0.2	50 / 33.6	2 / 6.6	-
GRSX 110.450, ... E3	239 / 0.37	129 / 0.2	50 / 33.6	2 / 6.6	-
GRSX 110.600, ... E3	286 / 0.44	258 / 0.4	60 / 40.3	2 / 6.6	-
GRSX 160.200, ... F	217 / 0.34	129 / 0.2	83.3 / 56	2 / 6.6	A
GRSX 160.300, ... F	253 / 0.39	129 / 0.2	83.3 / 56	2 / 6.6	A
GRSX 160.450, ... F	308 / 0.48	258 / 0.4	83.3 / 56	2 / 6.6	A
GRSX 160.600, ... F	362 / 0.56	258 / 0.4	123.3 / 82.9	2 / 6.6	A
GRSX 160.200, ... E3	191 / 0.30	129 / 0.2	56.7 / 38.1	2 / 6.6	-
GRSX 160.300, ... E3	223 / 0.35	129 / 0.2	56.7 / 38.1	2 / 6.6	-
GRSX 160.450, ... E3	270 / 0.42	258 / 0.4	56.7 / 38.1	2 / 6.6	-
GRSX 160.600, ... E3	318 / 0.49	258 / 0.4	73.3 / 49.3	2 / 6.6	A

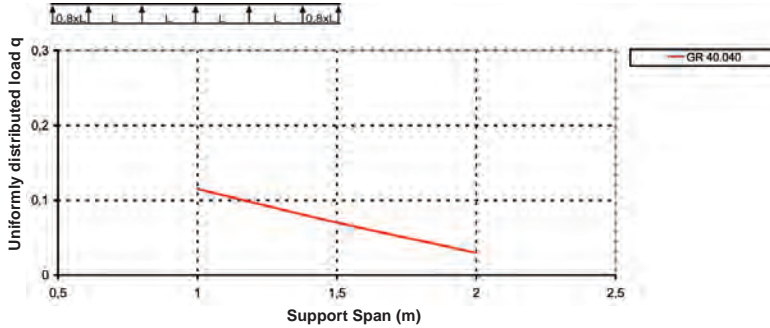
# WIRE MESH TRAY SYSTEM

## Wire Mesh Tray

model no.	height H mm   Inch	width B mm   Inch	thick-ness t mm	Weight per 100 m kg	Pack / Box Qty
<b>V</b> GR 40.040	40   1,6	40   1,6	3,5	37,6	2 x 3 m
<b>F</b> GR 40.040 F	40   1,6	40   1,6	3,5	37,6	2 x 3 m
<b>E3</b> GR 40.040 E3	40   1,6	40   1,6	3,5	37,6	2 x 3 m

Splice plates have to be ordered separately.

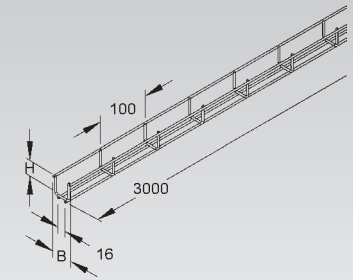
Load Chart: q = uniformly distributed load (tested according to DIN EN IEC 61537 standard)



Specified load ratings are independent of splice plate location.

Height  
40  
mm

Nominal  
1 5/8  
inches

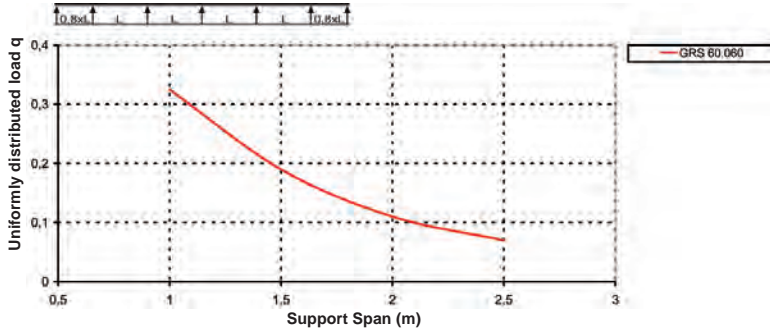


## Wire Mesh Tray

model no.	height H mm   Inch	width B mm   Inch	thick-ness t mm	Weight per 100 m kg	Pack / Box Qty
<b>V</b> GRS 60.060	60   2,4	60   2,4	4,0	54,83	2 x 3 m
<b>F</b> GRS 60.060 F	60   2,4	60   2,4	4,0	59,30	2 x 3 m
<b>E3</b> GRS 60.060 E3	60   2,4	60   2,4	4,5	69,61	2 x 3 m

Splice plates have to be ordered separately.

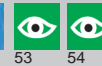
Load Chart: q = uniformly distributed load (tested according to DIN EN IEC 61537 standard)



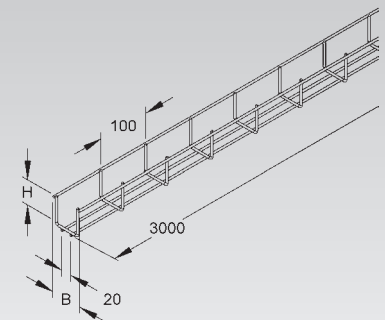
Specified load ratings are independent of splice plate location.

Height  
60  
mm

Nominal  
2 3/8  
inches



53 54

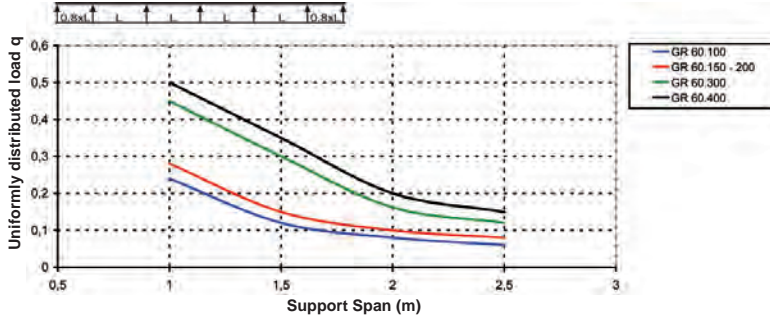


## Wire Mesh Tray

model no.	height H	width B	thick-ness t	Weight per 100 m	Pack / Box Qty
	mm   Inch	mm   Inch	mm	kg	
E3 GR 60.100 E3	60   2,4	100   3,9	3,5	60,97	2 x 3 m
E3 GR 60.150 E3	60   2,4	150   5,9	3,5	72,50	2 x 3 m
E3 GR 60.200 E3	60   2,4	200   7,9	3,5	83,95	2 x 3 m
E3 GR 60.300 E3	60   2,4	300   11,8	4,0	139,59	2 x 3 m

Splice plates have to be ordered separately.

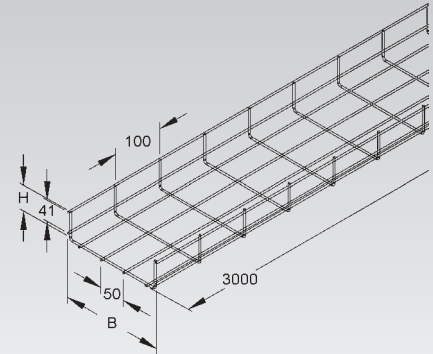
Load Chart: q = uniformly distributed load (tested according to DIN EN IEC 61537 standard)



Specified load ratings are independent of splice plate location.



53

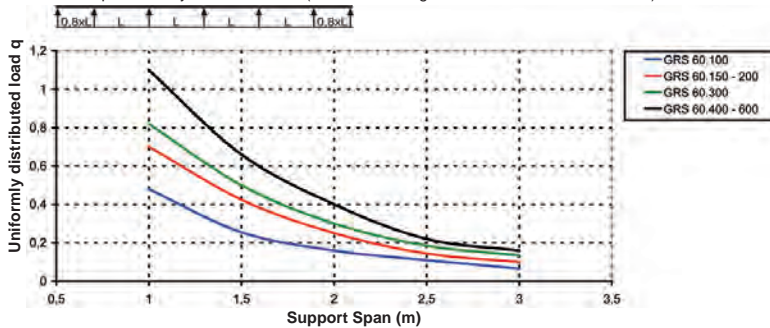


## Wire Mesh Tray

model no.	height H	width B	thick-ness t	dist. A	Weight per 100 m	Pack / Box Qty
	mm   Inch	mm   Inch	mm	mm   Inch	kg	
V GRS 60.100	60   2,4	100   3,9	4,0	40,0   1,6	78,97	2 x 3 m
V GRS 60.150	60   2,4	150   5,9	4,5	37,5   1,5	118,32	2 x 3 m
V GRS 60.200	60   2,4	200   7,9	4,5	37,5   1,5	137,27	2 x 3 m
V GRS 60.300	60   2,4	300   11,8	4,8	37,5   1,5	199,37	2 x 3 m
V GRS 60.400	60   2,4	400   15,7	4,8	37,5   1,5	242,50	2 x 3 m
V GRS 60.450	60   2,4	450   17,7	4,8	37,5   1,5	263,49	2 x 3 m
V GRS 60.500	60   2,4	500   19,7	4,8	37,5   1,5	285,63	2 x 3 m
V GRS 60.600	60   2,4	500   19,7	4,8	37,5   1,5	328,77	2 x 3 m
F GRS 60.100 F	60   2,4	100   3,9	4,0	40,0   1,6	85,30	2 x 3 m
F GRS 60.150 F	60   2,4	150   5,9	4,5	37,5   1,5	129,90	2 x 3 m
F GRS 60.200 F	60   2,4	200   7,9	4,5	37,5   1,5	150,75	2 x 3 m
F GRS 60.300 F	60   2,4	300   11,8	4,8	37,5   1,5	218,70	2 x 3 m
F GRS 60.400 F	60   2,4	400   15,7	4,8	37,5   1,5	261,60	2 x 3 m
F GRS 60.450 F	60   2,4	450   17,7	4,8	37,5   1,5	272,50	2 x 3 m
F GRS 60.500 F	60   2,4	500   19,7	4,8	37,5   1,5	307,60	2 x 3 m
F GRS 60.600 F	60   2,4	600   23,6	4,8	37,5   1,5	353,30	2 x 3 m

Splice plates have to be ordered separately.

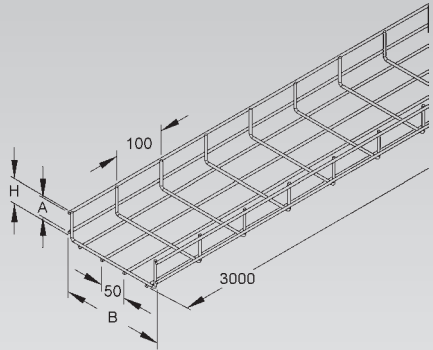
Load Chart: q = uniformly distributed load (tested according to DIN EN IEC 61537 standard)



Specified load ratings are independent of splice plate location.



54





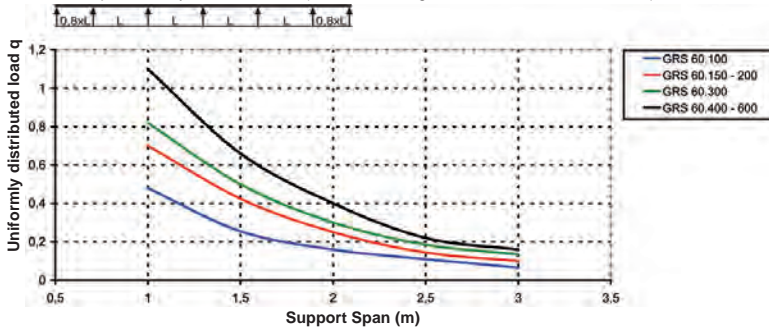
# WIRE MESH TRAY SYSTEM

## Wire Mesh Tray

model no.	height H	width B	thick-ness t	dist. A	Weight per 100 m kg	Pack / Box Qty
E3 GRS 60.100 E3	60   2,4	100   3,9	4,5	37,5   1,5	99,97	2 x 3 m
E3 GRS 60.150 E3	60   2,4	150   5,9	4,5	37,5   1,5	119,05	2 x 3 m
E3 GRS 60.200 E3	60   2,4	200   7,9	4,5	37,5   1,5	138,12	2 x 3 m
E3 GRS 60.300 E3	60   2,4	300   11,8	4,5	37,5   1,5	176,27	2 x 3 m
E3 GRS 60.400 E3	60   2,4	400   15,7	4,5	37,5   1,5	214,42	2 x 3 m
E3 GRS 60.450 E3	60   2,4	450   17,7	4,5	37,5   1,5	272,50	2 x 3 m
E3 GRS 60.500 E3	60   2,4	500   19,7	4,5	37,5   1,5	252,57	2 x 3 m
E3 GRS 60.600 E3	60   2,4	600   23,6	4,5	37,5   1,5	290,72	2 x 3 m

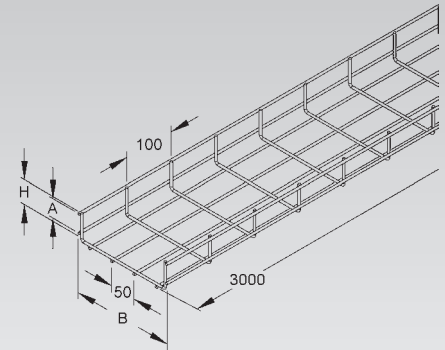
Splice plates have to be ordered separately.

Load Chart: q = uniformly distributed load (tested according to DIN EN IEC 61537 standard)



Specified load ratings are independent of splice plate location.

Height: 60 mm  
Nominal: 2 3/8 inches  
Eye: 54

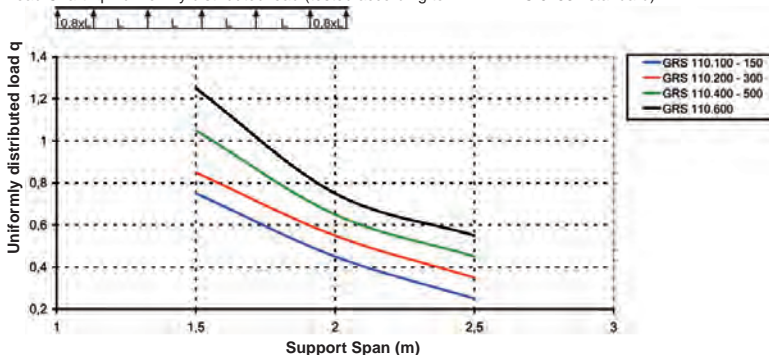


## Wire Mesh Tray

model no.	height H	width B	thick-ness t	Weight per 100 m kg	Pack / Box Qty
V GRS 110.100	110   4,3	100   3,9	4,5	140,0	2 x 3 m
V GRS 110.150	110   4,3	150   5,9	4,5	163,0	2 x 3 m
V GRS 110.200	110   4,3	200   7,9	4,8	200,0	2 x 3 m
V GRS 110.300	110   4,3	300   11,8	4,8	240,0	2 x 3 m
V GRS 110.400	110   4,3	400   15,7	4,8	265,4	2 x 3 m
V GRS 110.450	110   4,3	450   17,7	4,8	306,9	2 x 3 m
V GRS 110.500	110   4,3	500   19,7	4,8	346,9	2 x 3 m
V GRS 110.600	110   4,3	600   23,6	4,8	374,0	2 x 3 m
F GRS 110.100 F	110   4,3	100   3,9	4,5	151,0	2 x 3 m
F GRS 110.200 F	110   4,3	200   7,9	4,8	175,0	2 x 3 m
F GRS 110.300 F	110   4,3	300   11,8	4,8	215,0	2 x 3 m
F GRS 110.400 F	110   4,3	400   15,7	4,8	285,3	2 x 3 m
F GRS 110.450 F	110   4,3	450   17,7	4,8	329,9	2 x 3 m
F GRS 110.500 F	110   4,3	500   19,7	4,8	372,9	2 x 3 m
F GRS 110.600 F	110   4,3	600   23,6	4,8	403,0	2 x 3 m

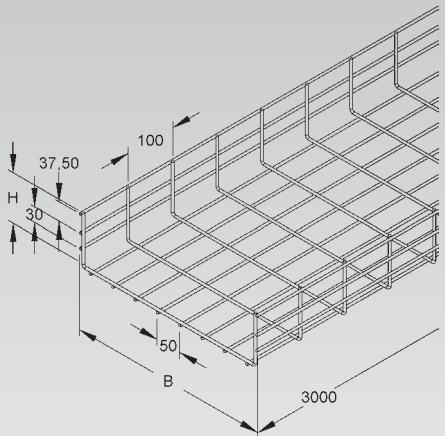
Splice plates have to be ordered separately.

Load Chart: q = uniformly distributed load (tested according to DIN EN IEC 61537 standard)



Specified load ratings are independent of splice plate location.

Height: 110 mm  
Nominal: 4 3/8 inches

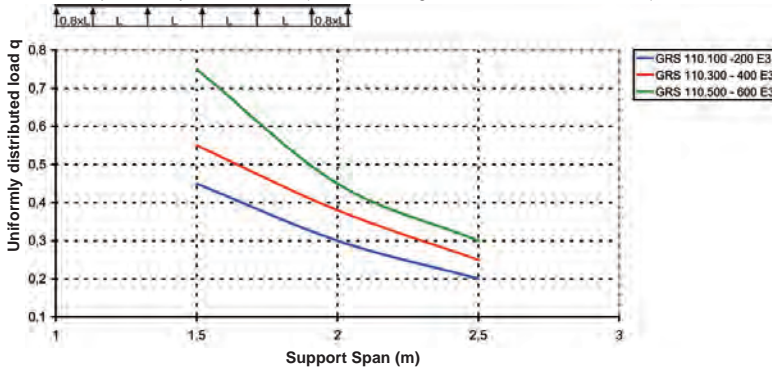


## Wire Mesh Tray

model no.	height H		width B		thick-ness t	Weight per 100 m kg	Pack / Box Qty
	mm	Inch	mm	Inch			
E3 GRS 110.100 E3	110	4,3	100	3,9	4,5	138,12	2 x 3 m
E3 GRS 110.150 E3	110	4,3	150	5,9	4,5	157,00	2 x 3 m
E3 GRS 110.200 E3	110	4,3	200	7,9	4,5	176,08	2 x 3 m
E3 GRS 110.300 E3	110	4,3	300	11,8	4,5	214,24	2 x 3 m
E3 GRS 110.400 E3	110	4,3	400	15,7	4,5	252,57	2 x 3 m
E3 GRS 110.450 E3	110	4,3	450	17,7	4,5	271,60	2 x 3 m
E3 GRS 110.500 E3	110	4,3	500	19,7	4,5	290,72	2 x 3 m
E3 GRS 110.600 E3	110	4,3	600	23,6	4,5	329,00	2 x 3 m

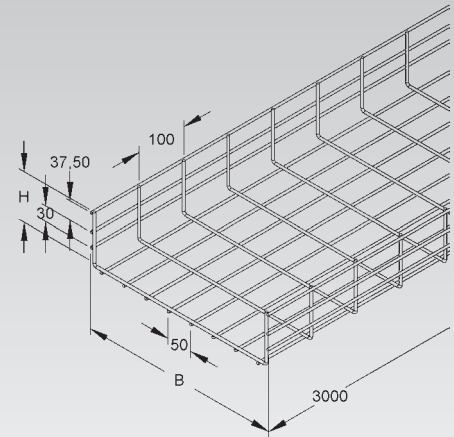
Splice plates have to be ordered separately.

Load Chart: q = uniformly distributed load (tested according to DIN EN IEC 61537 standard)



Specified load ratings are independent of splice plate location.

Height  
110 mm  
Nominal  
4 3/8 inches

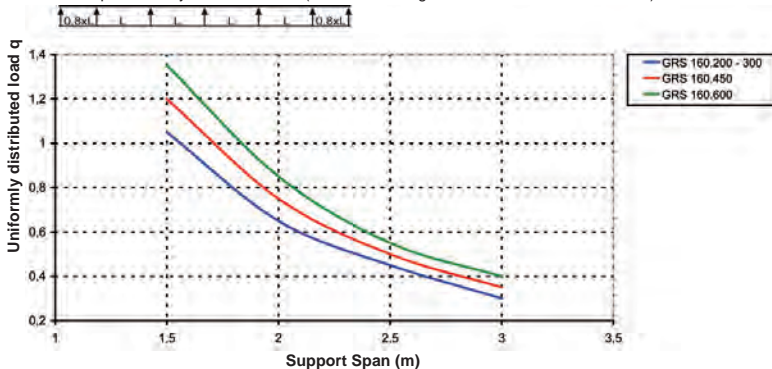


## Wire Mesh Tray

model no.	height H		width B		thick-ness t	Weight per 100 m kg	Pack / Box Qty
	mm	Inch	mm	Inch			
V GRS 160.200 V	160	6,3	200	7,9	4,8	240	2 x 3 m
V GRS 160.300 V	160	6,3	300	11,8	4,8	287	2 x 3 m
V GRS 160.400 V	160	6,3	400	15,7	4,8	350	2 x 3 m
V GRS 160.450 V	160	6,3	450	17,7	4,8	350	2 x 3 m
V GRS 160.500 V	160	6,3	500	19,7	4,8	380	2 x 3 m
V GRS 160.600 V	160	6,3	600	23,6	4,8	413	2 x 3 m
F GRS 160.200 F	110	4,3	200	7,9	4,8	258	2 x 3 m
F GRS 160.300 F	110	4,3	300	11,8	4,8	332	2 x 3 m
F GRS 160.400 F	110	4,3	400	15,7	4,8	350	2 x 3 m
F GRS 160.450 F	110	4,3	450	17,7	4,8	376	2 x 3 m
F GRS 160.500 F	110	4,3	500	19,7	4,8	380	2 x 3 m
F GRS 160.600 F	110	4,3	600	23,6	4,8	444	2 x 3 m

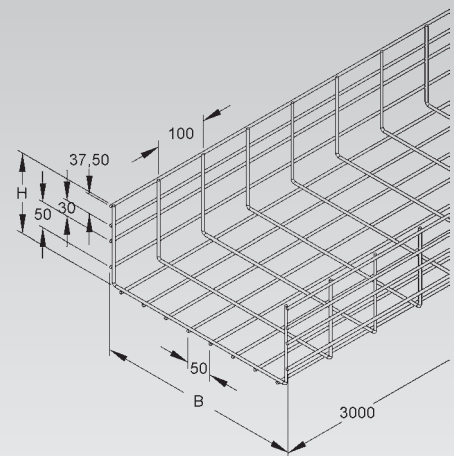
Splice plates have to be ordered separately.

Load Chart: q = uniformly distributed load (tested according to DIN EN IEC 61537 standard)



Specified load ratings are independent of splice plate location.

Height  
160 mm  
Nominal  
6 inches



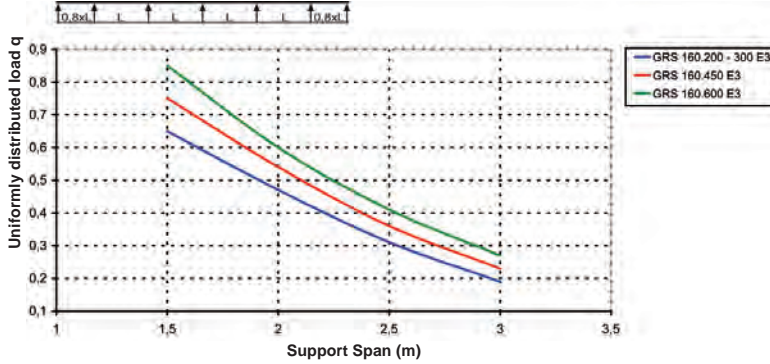
# WIRE MESH TRAY SYSTEM

## Wire Mesh Tray

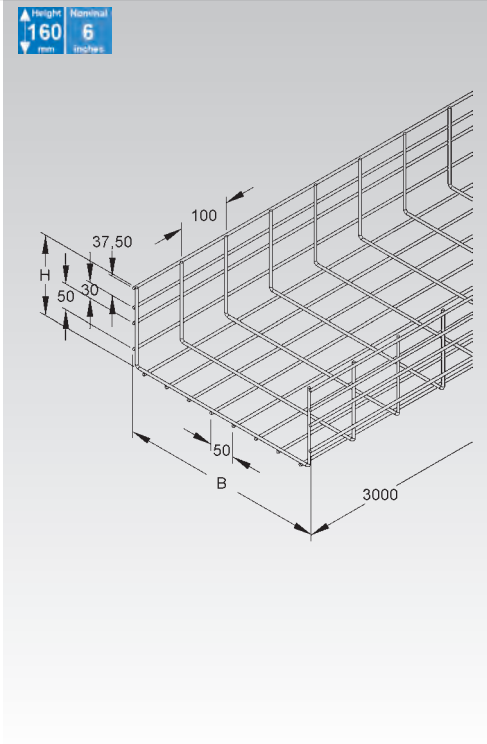
model no.	height H		width B		thick-ness t	Weight per 100 m kg	Pack / Box Qty
	mm	Inch	mm	Inch			
E3 GRS 160.200 E3	160	6,3	200	7,9	4,5	214,42	2 x 3 m
E3 GRS 160.300 E3	160	6,3	300	11,8	4,5	252,57	2 x 3 m
E3 GRS 160.400 E3	160	6,3	400	15,7	4,5	290,72	2 x 3 m
E3 GRS 160.450 E3	160	6,3	450	17,7	4,5	319,00	2 x 3 m
E3 GRS 160.500 E3	160	6,3	500	19,7	4,5	380,00	2 x 3 m
E3 GRS 160.600 E3	160	6,3	600	23,6	4,5	376,00	2 x 3 m

Splice plates have to be ordered separately.

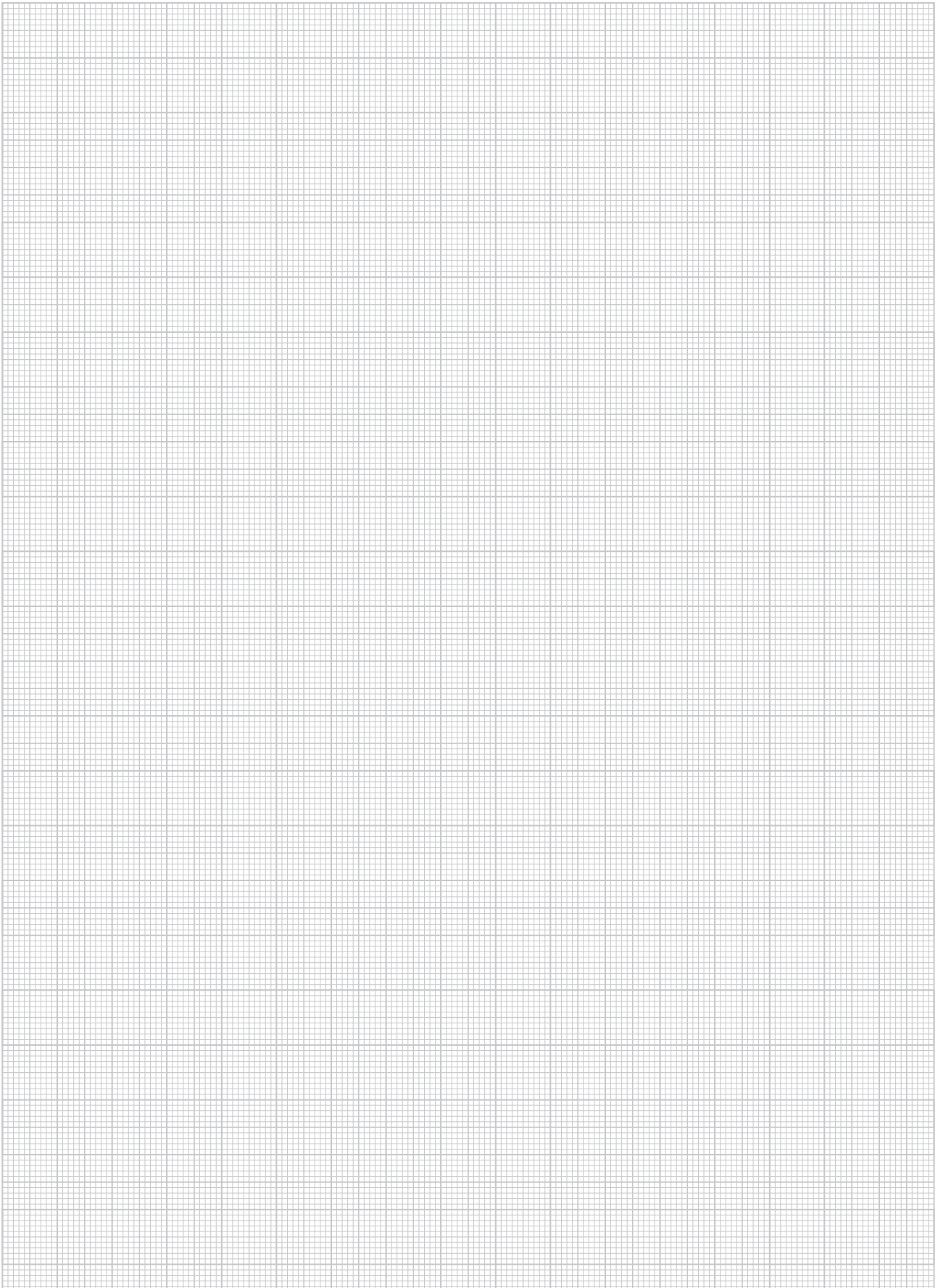
Load Chart: q = uniformly distributed load (tested according to DIN EN IEC 61537 standard)



Specified load ratings are independent of splice plate location.



# NOTES

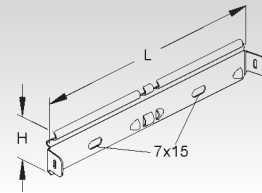
A large rectangular area filled with a fine grid of light gray lines, intended for writing notes. The grid consists of small, uniform squares covering the majority of the page's content area.

# WIRE MESH TRAY SYSTEM ACCESSOIRES

## Boltless Splice Plate

model no.	height H	length A	for wire gauge	Weight per 100 pcs kg	Pack / Box Qty
<b>S</b> GRVS 4	37   1,5	220   8,7	3,5 - 4,0	8,18	20
<b>S</b> GRVS 5	38   1,5	220   8,7	4,0 - 5,0	8,22	20
<b>E3</b> GRVS 4 E3	37   1,5	220   8,7	3,5 - 4,0	8,23	20
<b>E3</b> GRVS 5 E3	38   1,5	220   8,7	4,0 - 5,0	8,27	20

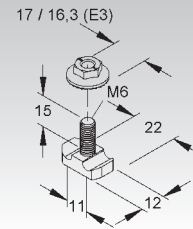
Please use E3 stainless steel splice plates for HDG wire mesh basket.



## Universal Splice Kit

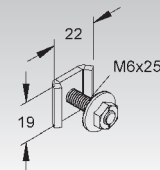
model no.	strength category	Weight per 100 pcs kg	Pack / Box Qty
<b>V</b> GRHKM 6X15 V	8.8	1,83	50
<b>F</b> GRHKM 6X15 F	8.8	1,83	50
<b>E3</b> GRHKM 6X15 E3	70	1,82	50

Suitable for: GR... and GRS... wire mesh tray



## Heavy Duty Splice Kit

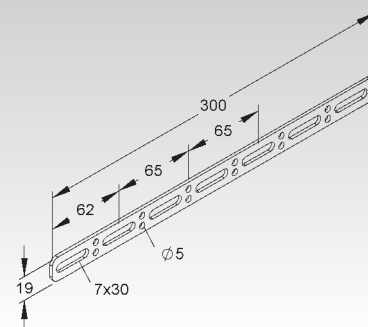
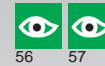
model no.	Weight per 100	Pack / Box Qty
	kg	
<b>V</b> GTVM 6X25 V	2	50
<b>FG</b> GTVM 6X25 FG	2	50
<b>E4</b> GTVM 6x25 E4	2	50



## Horizontal Straight Splice

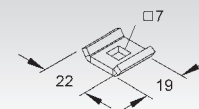
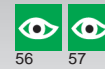
model no.	Weight per 100	Pack / Box Qty
	kg	
<b>V</b> GTVL 300 V	8	50
<b>E3</b> GTVL 300 E3	8	50

Hardware not included.



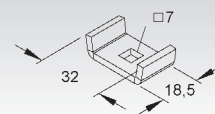
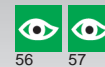
## Clamping Bracket

model no.	Weight per 100	Pack / Box Qty
	kg	
<b>V</b> GTL 20 V	0,6	50
<b>FG</b> GTL 20 FG	0,9	50
<b>E3</b> GTL 20 E3	0,6	50



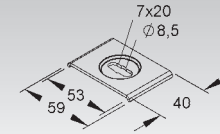
## Counter Bracket

model no.	Weight per 100	Pack / Box Qty
	kg	
<b>V</b> GTL 30 V	1,5	50
<b>FG</b> GTL 30 FG	1,5	50
<b>E3</b> GTL 30 E3	1,5	50



### Large Clamping Bracket

model no.	Weight per 100	Pack / Box Qty
	kg	
<b>V</b> GTL 40 V	3,6	50
<b>FG</b> GTL 40 FG	3,6	50
<b>E3</b> GTL 40 E3	4,0	50



### Trusshead Bolt and Serrated Washer

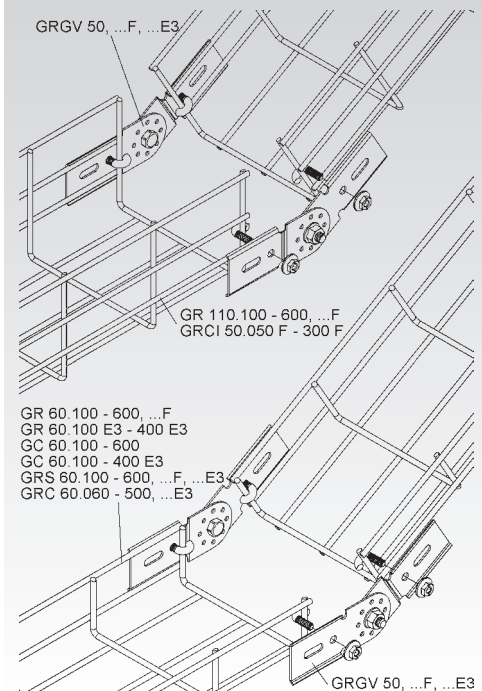
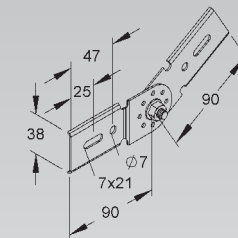
model no.	thread M	length A	Weight per 100	Pack / Box Qty
		mm   Inch	kg	
<b>G</b> FLM 6X20 G	6	20   0,8	0,9	50
<b>FG</b> FLM 6X20 FG	6	20   0,8	0,7	50
<b>E4</b> FLM 6X20 E4	6	20   0,8	0,9	50



### Adjustable Splice Plate

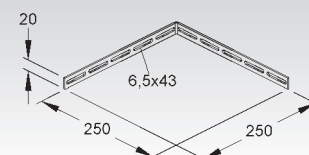
model no.	Weight per 100 pcs	Pack / Box Qty
	kg	
<b>S</b> GRGV 50	11	10
<b>F</b> GRGV 50 F	12	10
<b>E3</b> GRGV 50 E3	11	10

2 pieces required per joint



### Elbow Splice Bar

model no.	height H	width B	Weight per 100 pc./kg	Pack / Box Qty
	mm   Inch	mm   Inch		
<b>F</b> GRWV 20/250 F	20   0,8	250   9,8	17,20	20 pc.
<b>G</b> GRWV 20/250 G	20   0,8	250   9,8	21,82	20 pc.
<b>E5</b> GRWV 20/250 E5	20   0,8	250   9,8	25,47	20 pc.

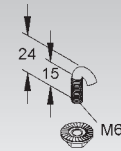


# WIRE MESH TRAY SYSTEM ACCESSOIRES

## J - Hook Bolt

model no.	thread M	Weight per 100 pcs kg	Pack / Box Qty
<b>V</b> GRSM 6 V	6	1,16	50
<b>F</b> GRSM 6 F	6	1,16	50
<b>E3</b> GRSM 6 E3	6	1,15	50

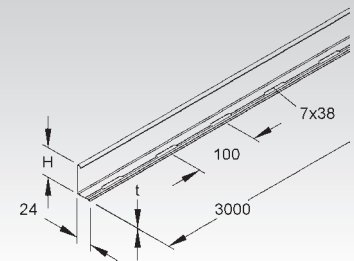
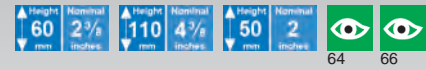
for attaching wire mesh tray  
serrated flange nut included



## Barrier Strip

model no.	height H	thick- ness t	Weight per 100 m kg	Pack / Box Qty
	mm   Inch	mm		
<b>S</b> RW 60	55   2,2	0,75	49,85	10 x 3 m
<b>S</b> RW 110	98   3,9	0,90	90,37	10 x 3 m
<b>F</b> RW 60 F	55   2,2	0,75	54,73	10 x 3 m
<b>F</b> RW 110 F	98   3,9	0,90	99,30	10 x 3 m
<b>E3</b> RW 50 E3	47   1,9	0,80	46,53	10 x 3 m
<b>E3</b> RW 110 E3	98   3,9	0,90	90,94	10 x 3 m

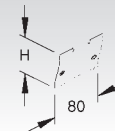
to separate wires and cables of different voltage levels or with different functions



## Splice Plate for Barrier Strip

model no.	height H	length A	Weight per 100 pcs kg	Pack / Box Qty
	mm   Inch	mm   Inch		
<b>E2</b> RTV 60 E2	54,5   2,1	80   3,1	1,39	20
<b>E2</b> RTV 110 E2	97,5   3,8	80   3,1	2,50	20

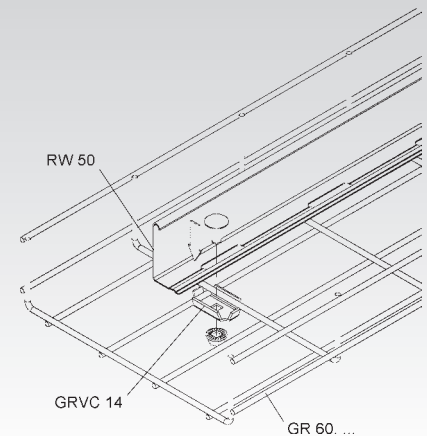
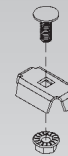
for positive locking connections and proper bonding of barrier strips



## Mounting Clamp for Barrier Strip

model no.	Weight per 100 pcs kg	Pack / Box Qty
<b>S</b> GRVC 14	3	50
<b>F</b> GRVC 14 F	3	50
<b>E3</b> GRVC 14 E3	3	20

for attaching barrier strips to wire mesh tray



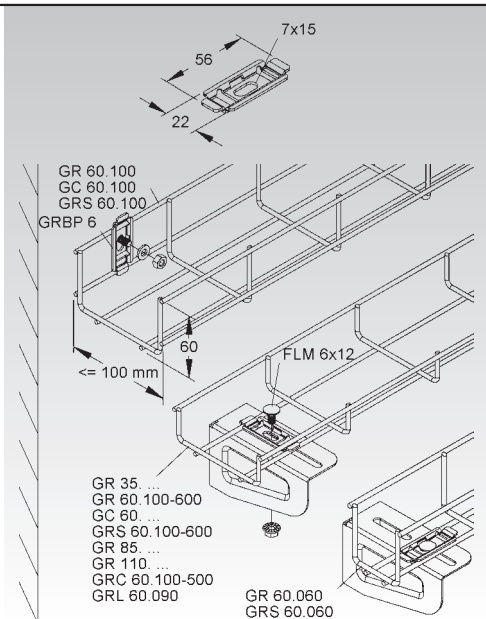
## Universal Wire Mesh Mounting Bracket

model no.	Weight per 100 pcs kg	Pack / Box Qty
<b>S</b> GRBP 6 S	1,20	50
<b>F</b> GRBP 6 F	2,00	50
<b>E3</b> GRBP 6 E3	1,12	50

for attaching wire mesh tray to any kind of brackets or directly to the floor

Suitable for: GR... and GRS... wire mesh tray

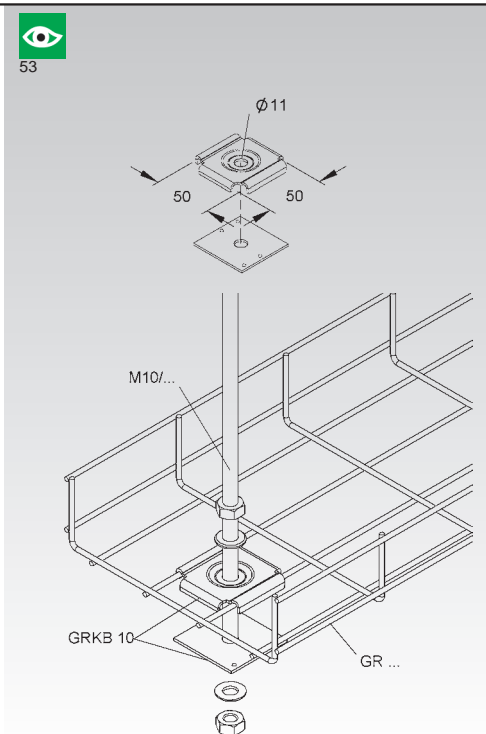
Hardware is not included.



## Center Hanger

model no.	Weight per 100 pc. kg	Pack / Box Qty
<b>S</b> GRKB 10	10	25 pc.
<b>F</b> GRKB 10 F	10	25 pc.

for wall mounting of wire mesh tray with a max. width of 100 mm and for centered hanging of wire mesh tray (max. width 300 mm) by threaded rod





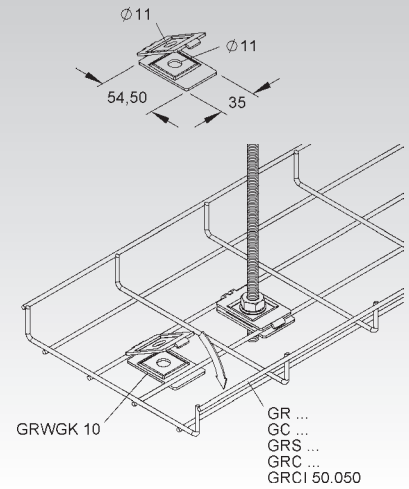
# WIRE MESH TRAY SYSTEM ACCESSOIRES

## Wire Mesh Mounting Bracket

	model no.	Weight per 100 pcs kg	Pack / Box Qty
<b>S</b>	<b>GRW GK 10 S</b>	5,8	25
<b>E3</b>	<b>GRW GK 10 E3</b>	5,8	25

max tray width for wall mount 100 mm, for center hanging 300 mm

Can be used for all kinds of wire mesh tray from wire gauge 3.0 mm to 6.0 mm. GR 40.040 and GRS 60.060 are supported as well.



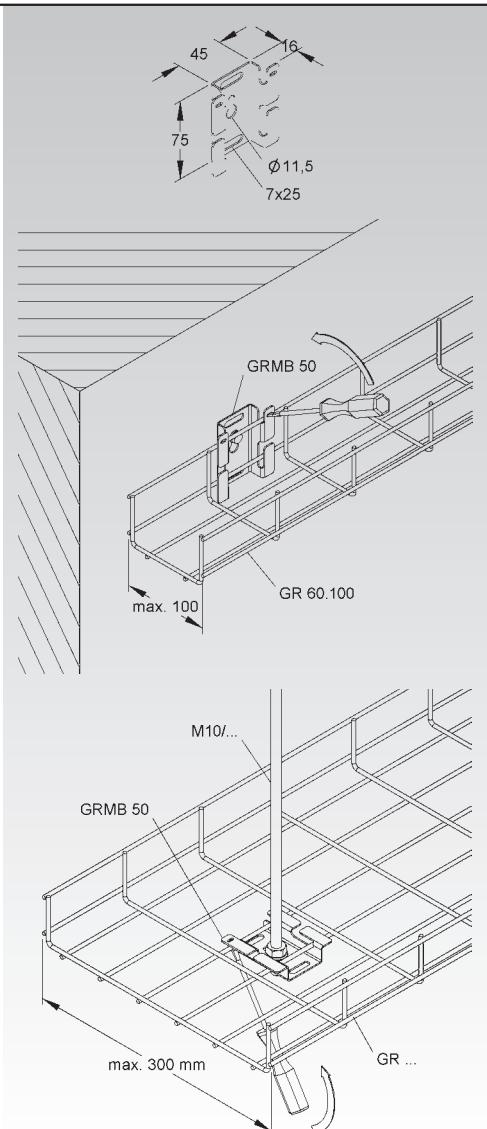
## Wall Mounting Bracket

for wire mesh tray

	model no.	Weight per 100 pcs kg	Pack / Box Qty
<b>S</b>	<b>GRMB 50</b>	8,5	20
<b>E3</b>	<b>GRMB 50 E3</b>	8,5	20

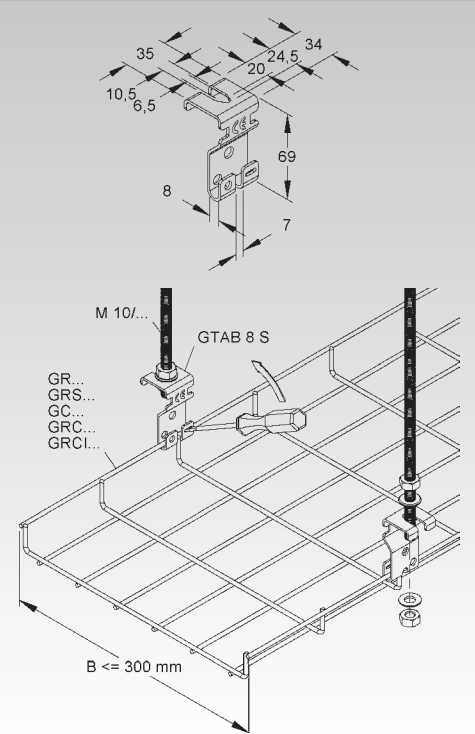
max tray width for wall mount 100 mm, for center hanging 300 mm

Suitable for: GR... and GRS... wire mesh tray



### Trapeze Hanger for Wire Mesh Tray

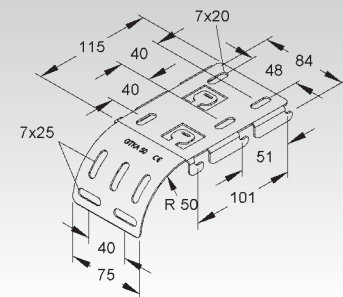
model no.	Weight per 100	Pack / Box Qty
	kg	
<b>S GTAB 8 S</b>	7	20



### Cable Drop Out

model no.	Weight per 100 pcs kg	Pack / Box Qty
<b>S GTKA 50 S</b>	16,5	1

Suitable for: GR... and GRS... wire mesh tray

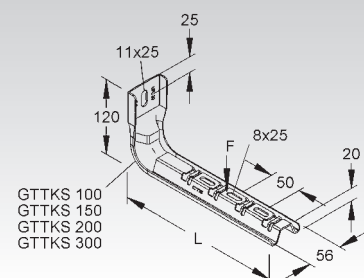


### Hanger / Wall Bracket for Wire Mesh Tray

	model no.	height H		length A		admissible load F at L/2 kN	Weight per 100 pcs kg	Pack / Box Qty
		mm	Inch	mm	Inch			
<b>S</b>	<b>GTTKS 150 S</b>	120	4,7	215	8,5	1,08	39	20
<b>S</b>	<b>GTTKS 200 S</b>	120	4,7	265	10,4	0,86	45	20
<b>S</b>	<b>GTTKS 300 S</b>	120	4,7	365	14,4	0,64	63	20
<b>E3</b>	<b>GTTKS 150 E3</b>	120	4,7	215	8,5	1,08	38	20
<b>E3</b>	<b>GTTKS 200 E3</b>	120	4,7	265	10,4	0,86	43	20

Specifically designed for boltless attachment of wire mesh tray.

The load rating shown is valid only for proper anchorage to the building structure.

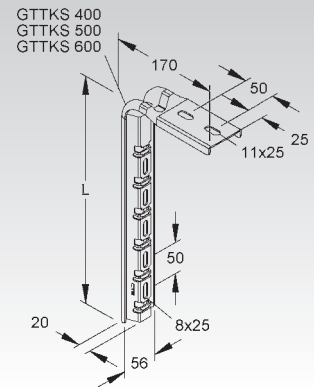


# WIRE MESH TRAY SYSTEM ACCESSOIRES

## Hanger for Wire Mesh Tray

	model no.	height H		length A		Weight per 100 pcs kg	Pack / Box Qty
		mm	Inch	mm	Inch		
S	<b>GTTKS 400 S</b>	170	6,7	465	18,3	71	20
S	<b>GTTKS 500 S</b>	170	6,7	565	22,2	87	20
S	<b>GTTKS 600 S</b>	170	6,7	665	26,2	99	20

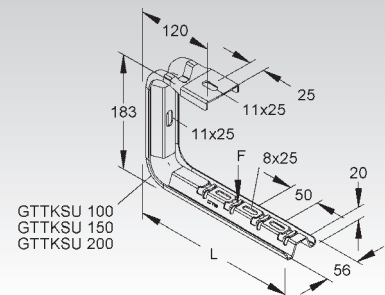
Specifically designed for boltless attachment of wire mesh tray.



## Wall / Ceiling Bracket for Wire Mesh Tray

	model no.	height H		length A		admissible load F at L/2 kN	Weight per 100 kg	Pack / Box Qty
		mm	Inch	mm	Inch			
S	<b>GTTKSU 100 S</b>	183	7,2	165	6,5	1,22	53	1 pc.
S	<b>GTTKSU 150 S</b>	183	7,2	215	8,5	1,00	60	1 pc.
S	<b>GTTKSU 200 S</b>	183	7,2	265	10,4	0,81	67	1 pc.

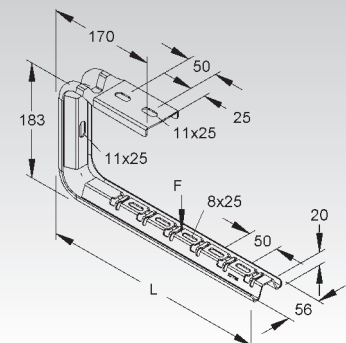
The load rating shown is only valid for proper anchorage to the building structure.



## Wall / Ceiling Bracket for Wire Mesh Tray

	model no.	height H		length A		admissible load F at L/2 kN	Weight per 100 kg	Pack / Box Qty
		mm	Inch	mm	Inch			
S	<b>GTTKSU 300 S</b>	183	7,2	365	14,4	0,64	85	1 pc.

The load rating shown is only valid for proper anchorage to the building structure.



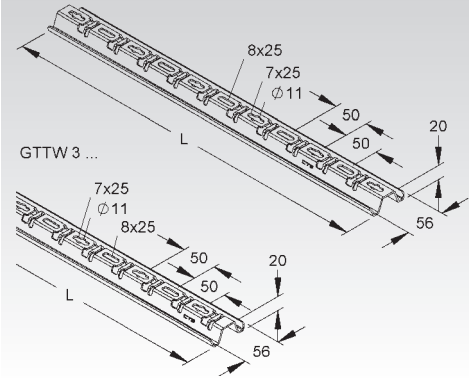
### Center Hanger / Trapeze Support for Wire Mesh Basket

	model no.	length A		Weight per 100 pcs/m kg	Pack / Box Qty
		mm	Inch		
S	GTTW 300 S	300	11,8	42,0	1
S	GTTW 500 S	500	19,7	66,0	1
S	GTTW 600 S	600	23,6	78,0	1
S	GTTW 3 S	3000	118,1	98,5	3 m
F	GTTW 3 F	3000	118,1	90,0	3 m
E4	GTTW 2 E4	2000	78,7	239,0	2 m

Specifically designed for boltless attachment of wire mesh tray.  
Lock wire mesh tray with a screwdriver.

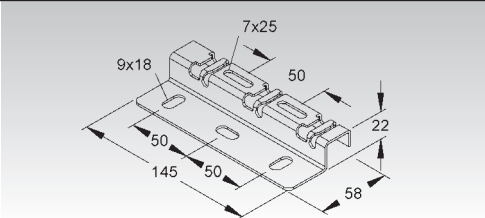


GTTW 500 S



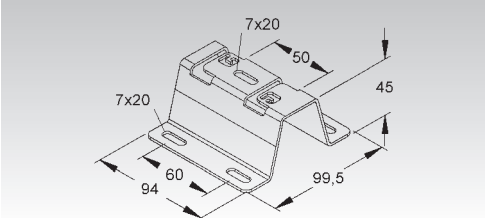
### Wire Mesh Wall Bracket

	model no.	Weight	Pack / Box Qty
		per 100 kg	
S	GTZP 30/150 S	14	1 pc.
F	GTZP 30/150 F	14	1 pc.



### Wire Mesh Floor Support

	model no.	Weight	Pack / Box Qty
		per 100 kg	
S	GTBT 50 S	20,8	1 pc.
FG	GTBT 50 FG	22,8	1 pc.



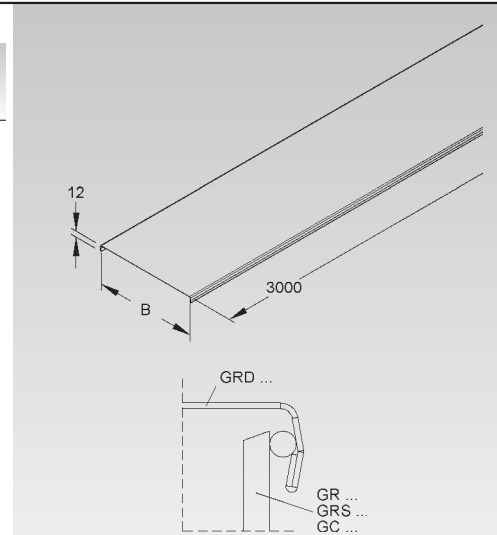
# WIRE MESH TRAY SYSTEM COVERS

## Snapon Cover for Wire Mesh Tray

model no.	width B	thick-ness t	Weight per 100 m	Pack / Box Qty
★ S GRD 40 S	38,5   1,5	0,75	42,40	2 x 3 m
★ S GRD 60 S	58,5   2,3	0,75	54,12	2 x 3 m
★ S GRD 100 S	98,5   3,9	0,75	77,70	2 x 3 m
★ S GRD 150 S	148,5   5,8	0,75	107,10	2 x 3 m
★ S GRD 200 S	198,5   7,8	0,75	136,60	2 x 3 m
★ S GRD 300 S	298,5   11,8	0,90	234,60	2 x 3 m
★ S GRD 400 S	398,5   15,7	0,90	305,10	2 x 3 m
★ F GRD 40 F	38,5   1,5	0,75	46,60	2 x 3 m
★ F GRD 60 F	58,5   2,3	0,75	59,53	2 x 3 m
★ F GRD 100 F	98,5   3,9	0,75	85,45	2 x 3 m
★ F GRD 150 F	148,5   5,8	0,75	117,80	2 x 3 m
★ F GRD 200 F	198,5   7,8	0,75	150,20	2 x 3 m
★ F GRD 300 F	298,5   11,8	0,75	258,10	2 x 3 m
★ F GRD 400 F	398,5   15,7	0,75	335,60	2 x 3 m
★ E3 GRD 40 E3	38,5   1,5	0,80	45,50	2 x 3 m
E3 GRD 60 E3	58,5   2,3	0,80	58,13	2 x 3 m
E3 GRD 100 E3	98,5   3,9	0,80	83,41	2 x 3 m
E3 GRD 150 E3	148,5   5,8	0,80	115,01	2 x 3 m
E3 GRD 200 E3	198,5   7,8	0,80	146,60	2 x 3 m
E3 GRD 300 E3	298,5   11,8	0,80	209,80	2 x 3 m
★ E3 GRD 400 E3	398,5   15,7	0,80	272,80	2 x 3 m

with snapon mechanism for all GR... and GRS... wire mesh trays

These covers are intended for horizontal installations only. Please use special clamps (e.g. WA 25) to secure the cover in all vertical installations.



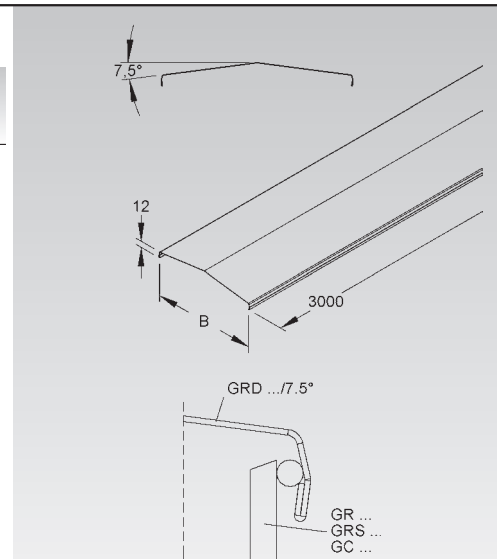
## Peaked Snapon Cover for Wire Mesh Tray

with 7.5° pitch

model no.	width B	thick-ness t	Weight per 100 m	Pack / Box Qty
★ S GRD 40/7.5° S	38,5   1,5	0,75	42,4	2 x 3 m
★ S GRD 60/7.5° S	58,5   2,3	0,75	54,3	2 x 3 m
★ S GRD 100/7.5° S	98,5   3,9	0,75	78,0	2 x 3 m
★ S GRD 150/7.5° S	148,5   5,8	0,75	107,7	2 x 3 m
★ S GRD 200/7.5° S	198,5   7,8	0,75	137,4	2 x 3 m
★ S GRD 300/7.5° S	298,5   11,8	0,90	236,3	2 x 3 m
★ S GRD 400/7.5° S	398,5   15,7	0,90	307,6	2 x 3 m
★ F GRD 40/7.5° F	38,5   1,5	0,75	46,6	2 x 3 m
★ F GRD 60/7.5° F	58,5   2,3	0,75	59,7	2 x 3 m
★ F GRD 100/7.5° F	98,5   3,9	0,75	85,6	2 x 3 m
★ F GRD 150/7.5° F	148,5   5,8	0,75	118,5	2 x 3 m
★ F GRD 200/7.5° F	198,5   7,8	0,75	151,1	2 x 3 m
★ F GRD 300/7.5° F	298,5   11,8	0,90	260,0	2 x 3 m
★ F GRD 400/7.5° F	398,5   15,7	0,90	338,4	2 x 3 m
★ E3 GRD 40/7.5° E3	38,5   1,5	0,80	45,5	2 x 3 m
★ E3 GRD 60/7.5° E3	58,5   2,3	0,80	58,3	2 x 3 m
★ E3 GRD 100/7.5° E3	98,5   3,9	0,80	83,8	2 x 3 m
★ E3 GRD 150/7.5° E3	148,5   5,8	0,80	115,6	2 x 3 m
★ E3 GRD 200/7.5° E3	198,5   7,8	0,80	148,4	2 x 3 m
★ E3 GRD 300/7.5° E3	298,5   11,8	0,80	211,3	2 x 3 m
★ E3 GRD 400/7.5° E3	398,5   15,7	0,80	275,0	2 x 3 m

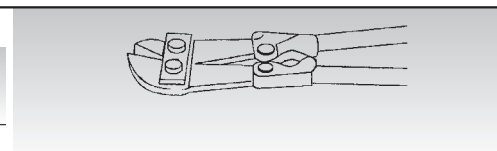
with snapon mechanism for all GR... and GRS... wire mesh trays

These covers are intended for horizontal installations only. Please use special clamps (e.g. WA 25) to secure the cover in all vertical installations.



## Wire Mesh Bolt Cutter

model no.	Weight per 100	Pack / Box Qty
★ V GTBS 500 V	258,8	1 pc.



## Splice Plate Requirements for Wire Mesh Basket Tray

Wire Mesh Tray Model	Number of Splices	Finish V - electroplated		Finish F - hot dip galvanized		Finish E3 - 304 stainless steel		Finish E5 - 316 stainless steel	
		Standard	Boltless	Standard	Boltless	Standard	Boltless	Standard	Boltless
GR 40.040	2	GRHKM 6x15 V	GRVS 4	GRHKM 6x15 F	GRVS 4 E3	GRHKM 6x15 E3	GRVS 4 E3	n/a	n/a
GR 60.100	2	n/a	n/a	n/a	n/a	GRHKM 6x15 E3	GRVS 4 E3	n/a	n/a
GR 60.150	2	n/a	n/a	n/a	n/a	GRHKM 6x15 E3	GRVS 4 E3	n/a	n/a
GR 60.200	2	n/a	n/a	n/a	n/a	GRHKM 6x15 E3	GRVS 4 E3	n/a	n/a
GR 60.300	3	n/a	n/a	n/a	n/a	GRHKM 6x15 E3	GRVS 4 E3	n/a	n/a
GRS 60.060	2	GRHKM 6x15 V	GRVS 5	GRHKM 6x15 F	GRVS 5 E3	GRHKM 6x15 E3	GRVS 5 E3	GRHKM 6x15 E5	GRVS 4 E5
GRS 60.100	2	GRHKM 6x15 V	GRVS 5	GRHKM 6x15 F	GRVS 5 E3	GRHKM 6x15 E3	GRVS 5 E3	GRHKM 6x15 E5	GRVS 4 E5
GRS 60.150	2	GRHKM 6x15 V	GRVS 5	GRHKM 6x15 F	GRVS 5 E3	GRHKM 6x15 E3	GRVS 5 E3	GRHKM 6x15 E5	GRVS 4 E5
GRS 60.200	2	GRHKM 6x15 V	GRVS 5	GRHKM 6x15 F	GRVS 5 E3	GRHKM 6x15 E3	GRVS 5 E3	GRHKM 6x15 E5	GRVS 4 E5
GRS 60.300	3	GRHKM 6x15 V	GRVS 5	GRHKM 6x15 F	GRVS 5 E3	GRHKM 6x15 E3	GRVS 5 E3	GRHKM 6x15 E5	GRVS 4 E5
GRS 60.400	3	GRHKM 6x15 V	GRVS 5	GRHKM 6x15 F	GRVS 5 E3	GRHKM 6x15 E3	GRVS 5 E3	GRHKM 6x15 E5	GRVS 4 E5
GRS 60.450	4	GRHKM 6x15 V	GRVS 5	GRHKM 6x15 F	GRVS 5 E3	GRHKM 6x15 E3	GRVS 5 E3	GRHKM 6x15 E5	GRVS 4 E5
GRS 60.500	4	GRHKM 6x15 V	GRVS 5	GRHKM 6x15 F	GRVS 5 E3	GRHKM 6x15 E3	GRVS 5 E3	GRHKM 6x15 E5	GRVS 4 E5
GRS 60.600	4	GRHKM 6x15 V	GRVS 5	GRHKM 6x15 F	GRVS 5 E3	GRHKM 6x15 E3	GRVS 5 E3	GRHKM 6x15 E5	GRVS 4 E5
GRS 110.100	3	GRHKM 6x15 V	GRVS 5	GRHKM 6x15 F	GRVS 5 E3	GRHKM 6x15 E3	GRVS 5 E3	GRHKM 6x15 E5	GRVS 4 E5
GRS 110.150	3	GRHKM 6x15 V	GRVS 5	GRHKM 6x15 F	GRVS 5 E3	GRHKM 6x15 E3	GRVS 5 E3	GRHKM 6x15 E5	GRVS 4 E5
GRS 110.200	4	GRHKM 6x15 V	GRVS 5	GRHKM 6x15 F	GRVS 5 E3	GRHKM 6x15 E3	GRVS 5 E3	GRHKM 6x15 E5	GRVS 4 E5
GRS 110.300	4	GRHKM 6x15 V	GRVS 5	GRHKM 6x15 F	GRVS 5 E3	GRHKM 6x15 E3	GRVS 5 E3	GRHKM 6x15 E5	GRVS 4 E5
GRS 110.400	4	GRHKM 6x15 V	GRVS 5	GRHKM 6x15 F	GRVS 5 E3	GRHKM 6x15 E3	GRVS 5 E3	GRHKM 6x15 E5	GRVS 4 E5
GRS 110.450	4	GRHKM 6x15 V	GRVS 5	GRHKM 6x15 F	GRVS 5 E3	GRHKM 6x15 E3	GRVS 5 E3	GRHKM 6x15 E5	GRVS 4 E5
GRS 110.500	4	GRHKM 6x15 V	GRVS 5	GRHKM 6x15 F	GRVS 5 E3	GRHKM 6x15 E3	GRVS 5 E3	GRHKM 6x15 E5	GRVS 4 E5
GRS 110.600	4	GRHKM 6x15 V	GRVS 5	GRHKM 6x15 F	GRVS 5 E3	GRHKM 6x15 E3	GRVS 5 E3	GRHKM 6x15 E5	GRVS 4 E5
GRS 160.200	4	GRHKM 6x15 V	GRVS 5	GRHKM 6x15 F	GRVS 5 E3	GRHKM 6x15 E3	GRVS 5 E3	GRHKM 6x15 E5	GRVS 4 E5
GRS 160.300	4	GRHKM 6x15 V	GRVS 5	GRHKM 6x15 F	GRVS 5 E3	GRHKM 6x15 E3	GRVS 5 E3	GRHKM 6x15 E5	GRVS 4 E5
GRS 160.400	4	GRHKM 6x15 V	GRVS 5	GRHKM 6x15 F	GRVS 5 E3	GRHKM 6x15 E3	GRVS 5 E3	GRHKM 6x15 E5	GRVS 4 E5
GRS 160.450	4	GRHKM 6x15 V	GRVS 5	GRHKM 6x15 F	GRVS 5 E3	GRHKM 6x15 E3	GRVS 5 E3	GRHKM 6x15 E5	GRVS 4 E5
GRS 160.500	4	GRHKM 6x15 V	GRVS 5	GRHKM 6x15 F	GRVS 5 E3	GRHKM 6x15 E3	GRVS 5 E3	GRHKM 6x15 E5	GRVS 4 E5
GRS 160.600	4	GRHKM 6x15 V	GRVS 5	GRHKM 6x15 F	GRVS 5 E3	GRHKM 6x15 E3	GRVS 5 E3	GRHKM 6x15 E5	GRVS 4 E5

Two splices have to be installed on or close to the top lengthwire.

The third and fourth splice have to be uniformly distributed in the bottom section of the tray.