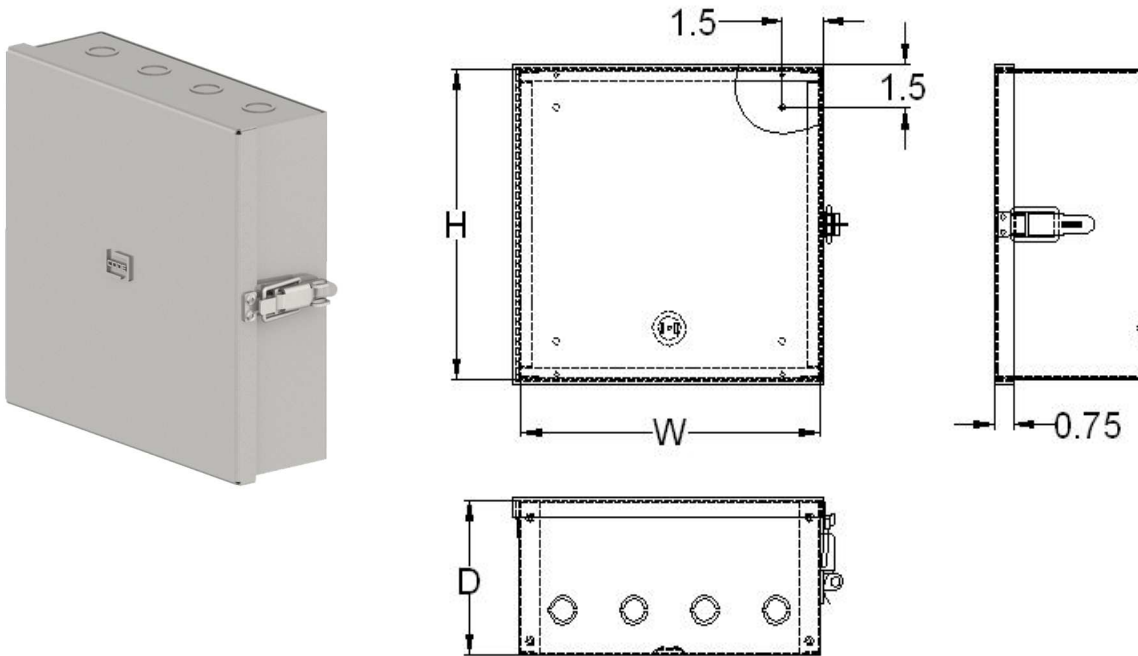


# CSA 1 PULL BOXES ALUMINUM HINGED COVER

The E-A series boxes are used as junction or pull boxes. Suitable for indoor application, and surface mounting, they are manufactured from 12 Ga or 10 Ga aluminum. The cover has a full length piano hinge which permits full 180° opening.

Enclosures are completed with padlockable hasps. They are provided with knockouts, four internal mounting holes and grounding provisions. Back panels are provided optional.

C.S.A. Certified / UL Listed



<u>Cat. No:</u>	<u>H</u>	<u>W</u>	<u>D</u>	<u>Lbs.</u>
E-A-060604	6	6	4	2.0
E-A-060606	6	6	6	2.0
E-A-080804	8	8	4	3.0
E-A-080806	8	8	6	3.0
E-A-101004	10	10	4	3.0
E-A-101006	10	10	6	4.0
E-A-120606	12	6	6	3.0
E-A-121204	12	12	4	4.0
E-A-121206	12	12	6	5.0