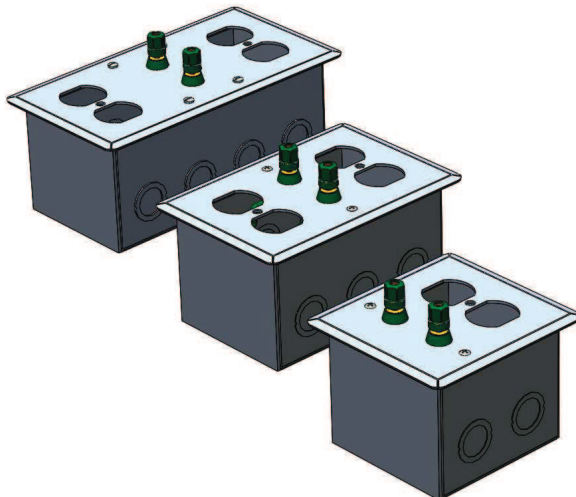
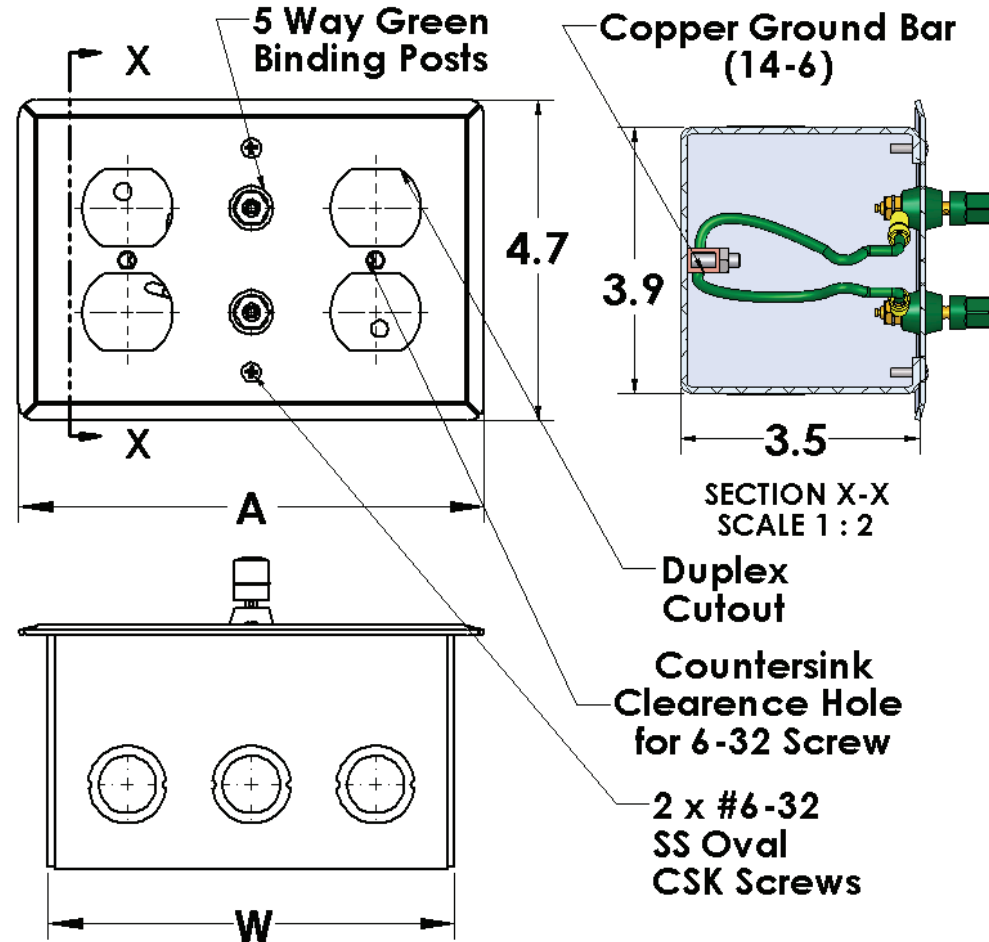


PATIENT REFERENCE BOXES

The Patient Reference Boxes are designed to work in conjunction with our Room Reference series boxes for use in hospitals and medical facilities, and are suitable for indoor applications. They include stainless steel covers for flush mounting.

The enclosures are manufactured from 10 Gauge Aluminum, and have solid welded seams.

They are provided with "1/2-3/4" knockouts and grounding provision.



Cat No:	W	A	LBS.
PRGB-A-02	4.1	5	1.1
PRGB-A-03	6	6.8	1.3
PRGB-A-04	7.8	8.6	1.5