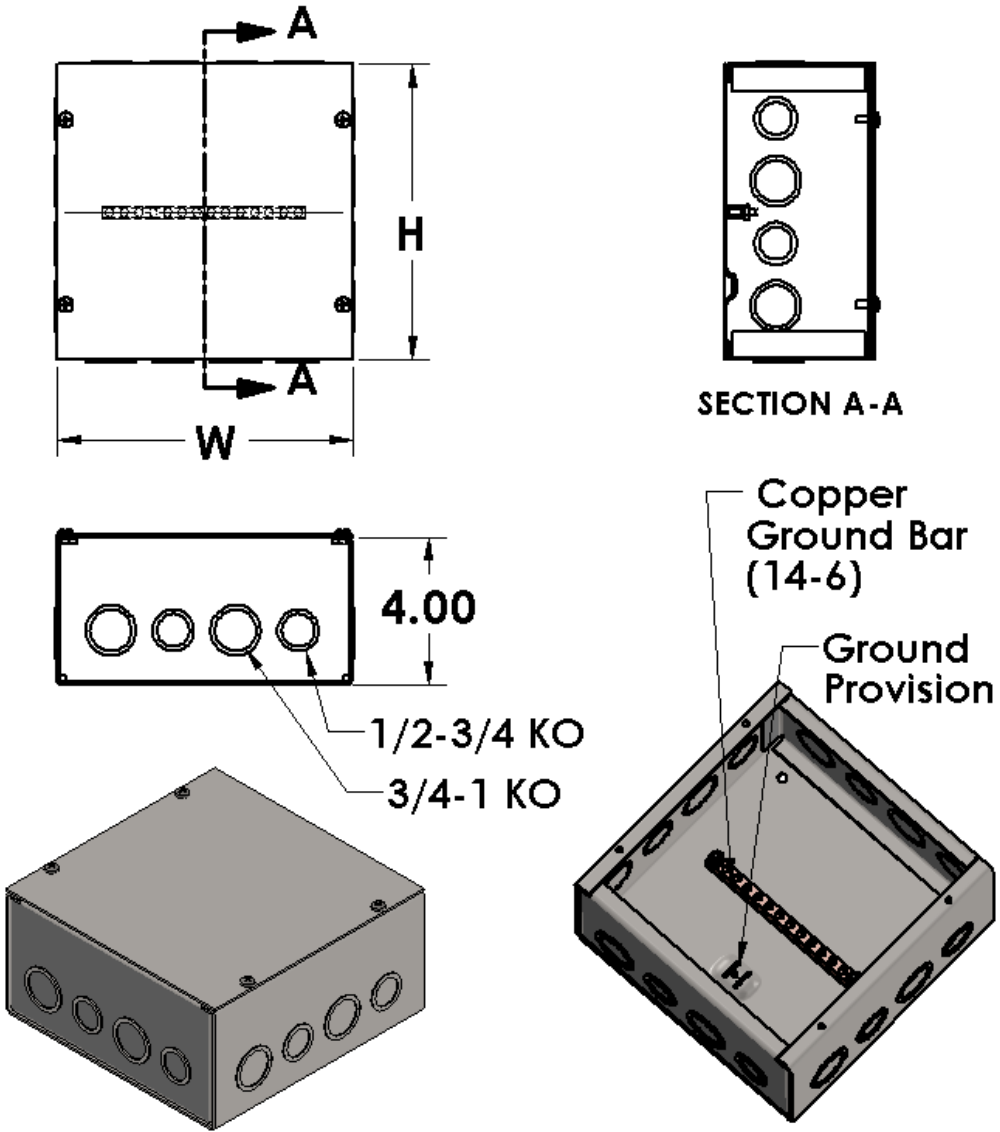


ROOM REFERENCE BOXES

The Room Reference Boxes are designed to consolidate Patient Reference Boxes in hospitals and medical facilities. They are suitable for indoor application and mounting in concealed ceiling spaces. Optional flush stainless steel covers are available for mounting in visible areas.

The enclosures are manufactured from 16 Gauge Steel, powder coated Grey. They are provided with "1/2-3/4" and 3/4"-1" knockouts, copper ground bar, grounding provision. Option includes: barrier, flush cover, hinged cover.



Cat No:	H	W	LBS
RRGB-S-060604	6	6	3
RRGB-S-080804	8	8	4.2
RRGB-S-101004	10	10	6