



CODE

SPYERLOK

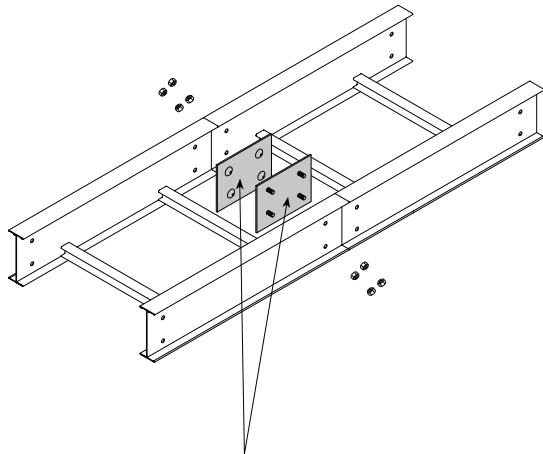
THE ORIGINAL QUICK CONNECTOR

Beat the clock with SPYDERLOK.
Quick & easy install saves you labour.

Quick install saves you time and costs by using CODE's original Quick Connector. Simply insert the plate into the predrilled holes on the tray and tighten 4 nuts.

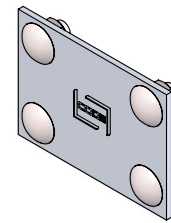
- Factory pressed-in bolts and loose nuts
- Interchangeable connector plate for all rail heights
- Aluminum or galvanized to match tray
- 1 piece design
- Included with all straight section trays and fittings

SPYDERLOK

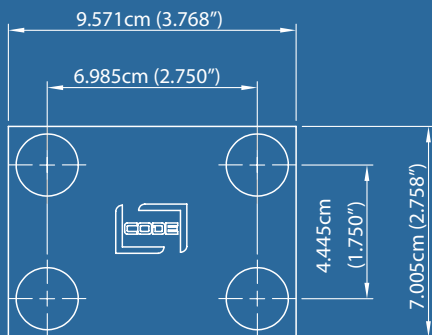


SPYDERLOK = Labour Saver
(goes on the inside of the tray to protect cables)

SPECIFICATIONS

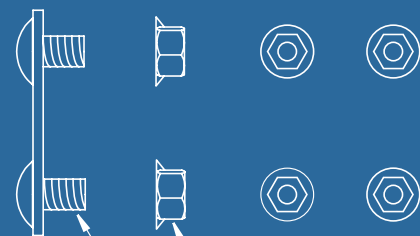


- 1/8 5052 H32 aluminum or
- 12 Ga galvanized steel - ASTM A653 G90
- 10cm (4") and 15cm (6") high tray compatible
- 4 - factory pressed-in knurl bolt
- 4 - plated flange nuts



Smooth Edges

Flip for 150 mm (6") tray side rail.



4 x 3/8-16 Tensilock Plated Nuts
(self-locking)
4 x 3/8-16 x 5/8 Plated Steel Bolts
(factory pressed-in)