
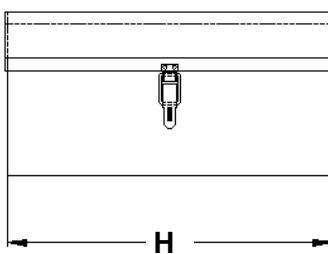


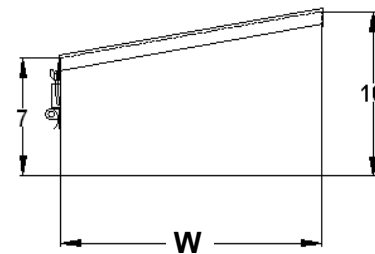
# CSA 3 AND 1 SLOPED TOP CONSOLE


The SL consoles are used indoors to protect electrical equipment against dirt, dust, oil and water splashing. The enclosures are manufactured from 14 Ga steel. The seams are solid welded. The consoles are complete with continuous

piano hinged cover and padlockable hasp. The oil resistant neoprene gasket is used to ensure the integrity of the enclosure. Optional print pockets are available. The consoles are powder coated ASA-61 Grey. C.S.A. Certified / UL Listed









<u>Cat. No:</u>	<u>W</u>	<u>H</u>	<u>Rear</u>	<u>Front</u>	<u>LBS</u>
SLC-S-161610	16	16	10	7	26
SLC-S-162010	16	20	10	7	31
SLC-S-162410	16	24	10	7	35
SLC-S-163010	16	30	10	7	42
SLC-S-163610	16	36	10	7	49

## CSA 1 Custom Sloped Consoles

The Custom Sloped Consoles are manufactured from aluminum, steel and stainless steel. Custom paint and powder

coating are available. Options include: carry handles, 1/4 turn latches and hasps. C.S.A. Certified / UL Listed

