

# CSA 1 TELEPHONE/CABLEVISION DISTRIBUTION BOX

## CATV and Telephone Enclosure

### PT6 Multi Port NIB Housing

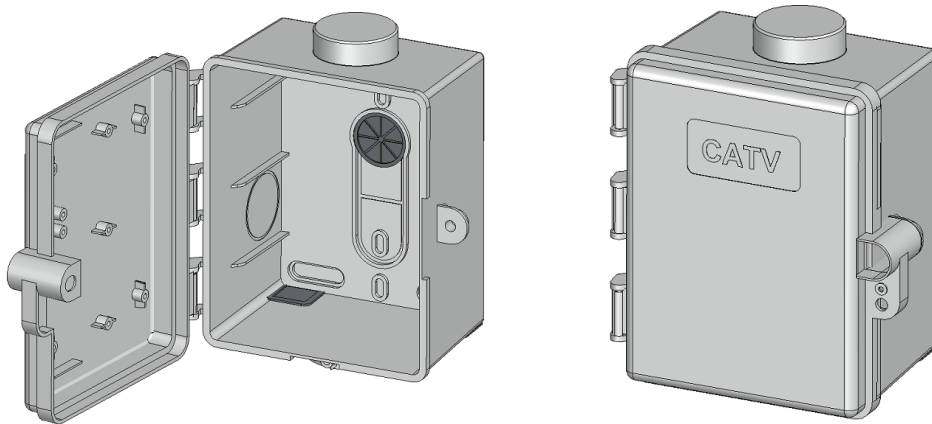
The PT6 are weatherproof designed. These 3 port NIB housing feature a rear entry port, 2 side knockouts, 1 interior LB knockout and pipe adapters for easy access. The upper conduit adapter accepts diameters of 1 1/4" and 2 1/2" steel, while the lower conduit adapter accommodates diameters of 3/4", 1",

and 2". Standard color is grey.

The PT6 enclosures are adaptable to both surface and pole mount applications.

The PT6F enclosures have F81 security locking connectors.

Inside Dimensions:H: 7.63"x W: 5.9"x D: 4.6"  
Telus and C.S.A. approved.



<u>Cat.No.</u>	<u>Description</u>
C-PT6F	Surface-Plastic CATV Enclosure
T-PT6S	Surface-Plastic TELEPHONE Enclosure