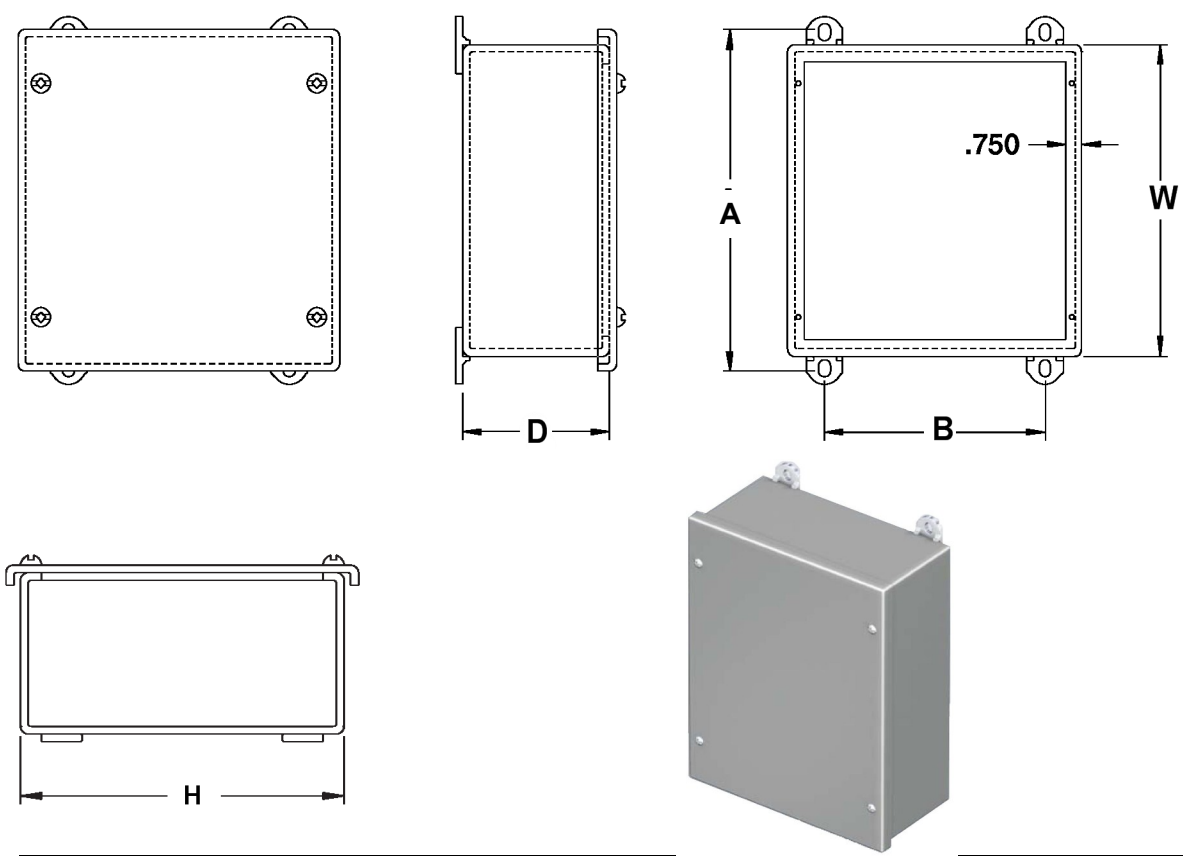


CSA 3 STEEL PULL BOXES SCREW COVER

The DWP-STL boxes are used as junction boxes for outdoor or indoor installations. These enclosures are designed to protect equipment against rain, sleet and snow. Enclosures are made from 16 Ga or 14 Ga steel. The box seams are continuously welded to prevent rain, sleet or snow from

entering and the oil resistant high quality gasket ensures integrity. Four external mounting holes are provided. Enclosures are ASA 61 grey finished with heat fused polyester powder, electrostatically applied on a phosphatized base. C.S.A. Certified / UL Listed



Cat No:	H	W	D	A	B	LBS.
D-WP-S-060603	6	6	3	6.5	4	1.5
D-WP-S-060604	6	6	4	6.5	4	2.0
D-WP-S-080804	8	8	4	8.5	6	2.5
D-WP-S-080806	8	8	6	8.5	4	3.5
D-WP-S-101004	10	10	4	10.5	8	3.5
D-WP-S-101006	10	10	6	10.5	8	4.5
D-WP-S-121204	12	12	4	12.5	10	4.5
D-WP-S-121206	12	12	6	12.5	10	5.0



604-540-0011

Fax: 604-540-0033 Toll Free: 1-888-222-CODE

sales@codeelectric.com