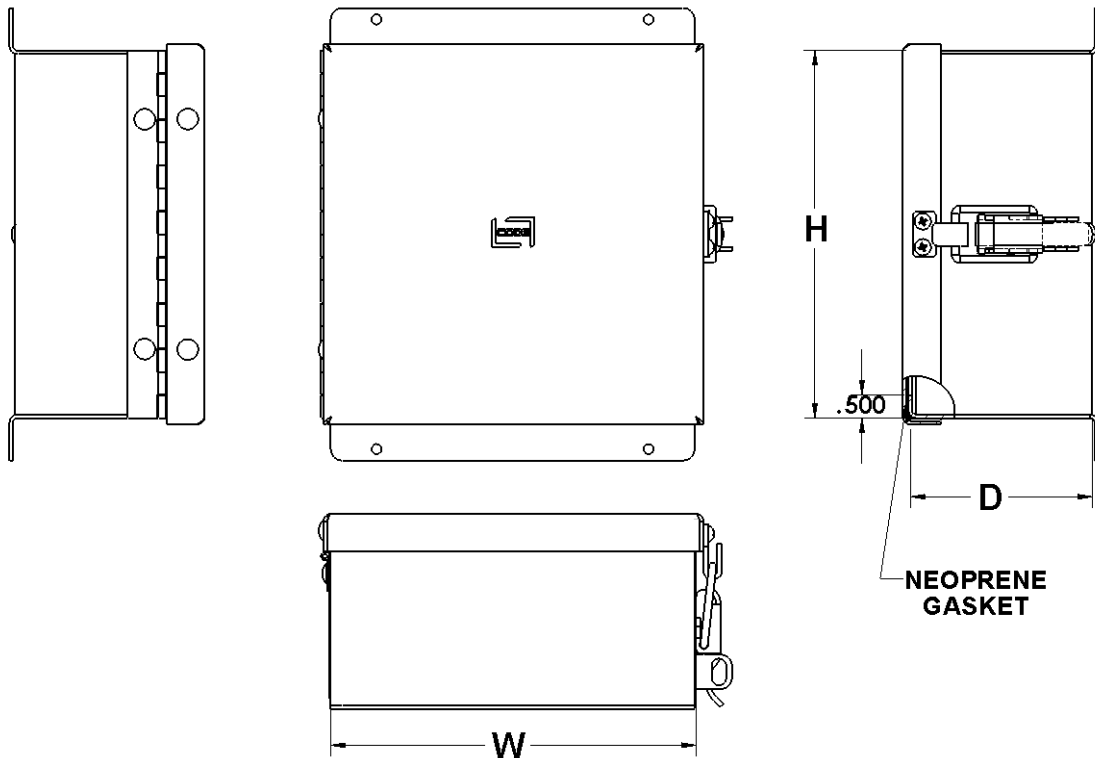


CSA 3 ALUMINUM PULL BOXES HINGED COVER

The EWP-A are used as junction boxes in outdoor or indoors installations where dripping water is a problem. These enclosures are designed to protect equipment against rain, sleet and snow. Enclosures are made from 12 Ga aluminum.

The box is solid welded, and the oil resistant neoprene gasket ensures integrity. The enclosure is complete with continuous piano hinged cover and padlockable hasp. Custom sizes are available. C.S.A. Certified / UL Listed



<u>Cat No:</u>	<u>H</u>	<u>W</u>	<u>D</u>	<u>LBS.</u>
E-WP-A-060604	6	6	4	2.0
E-WP-A-060606	6	6	6	2.0
E-WP-A-080804	8	8	4	3.0
E-WP-A-080806	8	8	6	3.0
E-WP-A-101004	10	10	4	3.0
E-WP-A-101006	10	10	6	4.0
E-WP-A-121204	12	12	4	4.0
E-WP-A-121206	12	12	6	5.0