

BC HYDRO METERING KIOSK



February 2019

Distribution and metering kiosk built to BC Hydro's distribution standards. Used when the service is too large to be permitted within the building or when the service is too large to fit within the building's electrical room. All connections included for ease of installation. Certified for use as service entrance.

RATINGS:

CSA CERTIFIED 3R ENCLOSURE

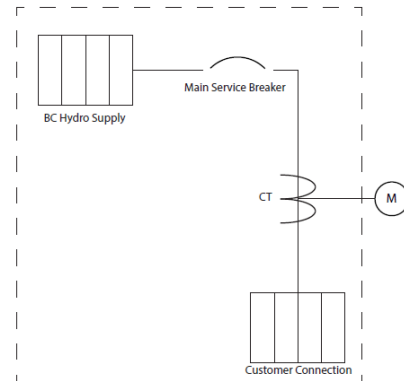
APPROVED BY BC HYDRO FOR STANDARD
ES54 S2-01.04 Rev 8

FEATURES

- Fully Welded CSA Construction
- Built from Marine Grade Aluminum
- Designed for Pad Mount Applications
- Stainless Steel 3 - Point Handle c/w Dual Padlock Provision
- CT/PT Compartment
- BC Hydro Bus with Grounding Stud
- Outgoing Terminals
- 21 kA Rated Main Breaker
- Dead Front Interior with BC Hydro Sealing Provisions
- Externally Mounted Meter Base

OPTIONS

- Custom Size Enclosures
- Custom Colour Powder Coating
- CSA 1, 3R, 3, 4 or 4X Ratings
- Light Fixture
- Heater
- Fan
- Convenience Receptacle
- Interior Mounted Meter Base c/w Viewing Window
- Insulation



CAT No:	MAIN BREAKER	PHASE	VOLTAGE FOR 21kA	SIZES
BCHK-0400-1	400A	1	120/240V	75 x 40 x 14
BCHK-0600-1	600A	1	120/240V	75 x 40 x 14
BCHK-0400-3	400A	3	347/600V	75 x 50 x 14
BCHK-0600-3	600A	3	347/600V	75 x 50 x 14
BCHK-0800-3	800A	3	347/600V	75 x 50 x 14
BCHK-1200-3	1200A	3	347/600V	75 x 56 x 20

*For custom options, speak with your sales representative.